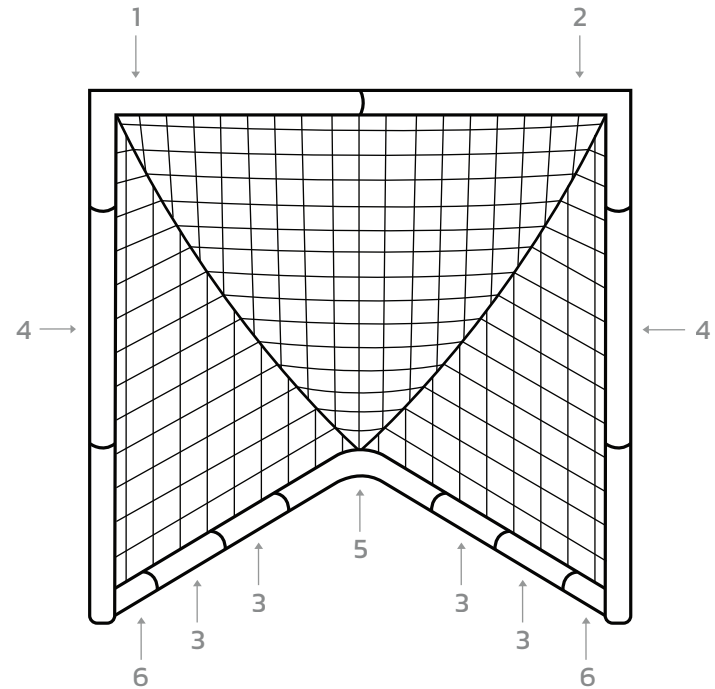


PRO LACROSSE GOAL



PART NO	1	2	3	4	5	6	STRING TIE	NET
QTY	x1	x1	x4	x2	x1	x2	x1	x1



Always inspect goal post and net for defects before use and repair damaged parts.
 Do not use goal with faulty parts.
 The goal must always be secured to the ground. Weights to be used on hard surfaces, ground anchors on grass.
 Never climb on the net or goal frame. The goal must never be used without the net fitted.
 Please adhere to safety instructions at all times.
 Please ensure all locking clips are inserted into the connectors.

Additional Information

When the goal is not being used dismantle and store under cover.
 Not suitable for children under 3 years.
 It is recommended that the goal is assembled by an adult.
 Warranty excludes net.
 Please visit the website for more details.



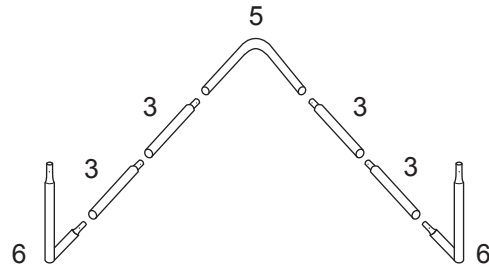
www.networldsports.co.uk // +44 (0) 1691 683 807 // cs@networldsports.co.uk

www.networldsports.com // 1-866-861-9095 // cs@networldsports.com

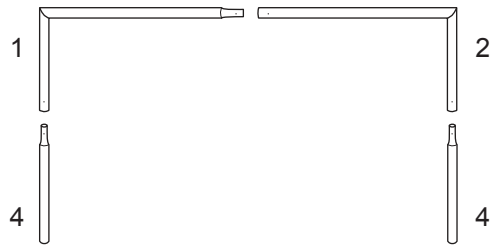
NET WORLD SPORTS»

1 Lay out all components, ensuring they match the parts list.

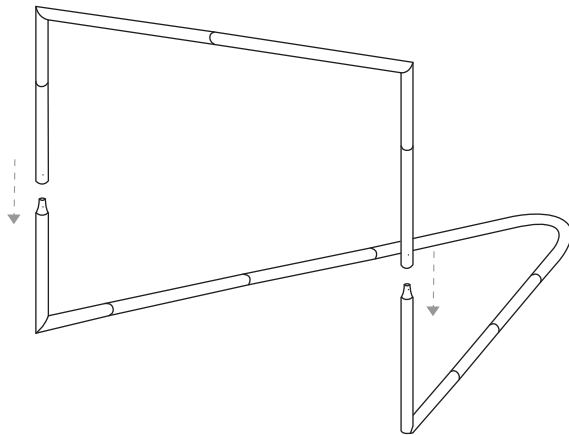
2 Assemble the base, using parts 3, 5 & 6. Ensure locking buttons click into place.



3 Assemble the top of the goal frame using parts 1, 2 & 4.

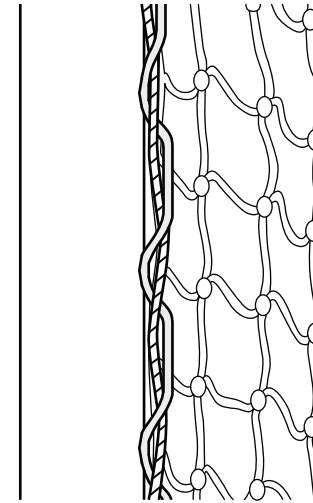


4 Attach the top of the goal frame to the base.



5 Place the net over the frame, ensuring it is aligned correctly.

6 Tie one end of the string tie to the lacing bar on the corner of one post. Using the other end, secure the net to the frame by threading the tie through the net and the lacing bars.



7 Once the net is fully secured, tie off with a secure knot.

