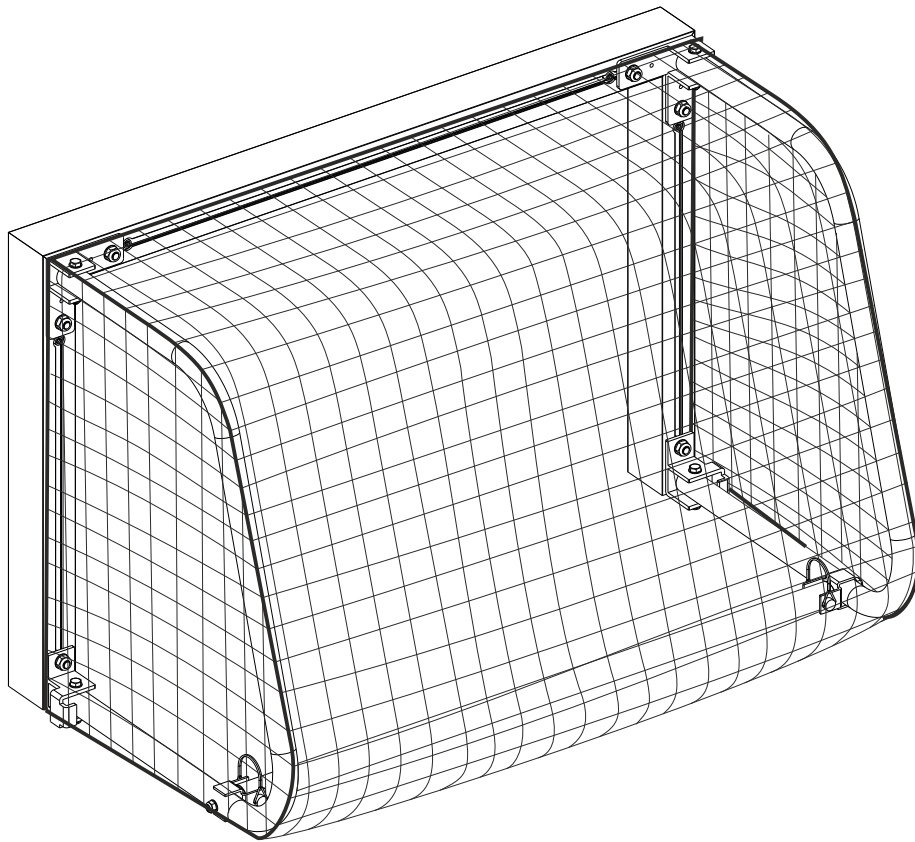
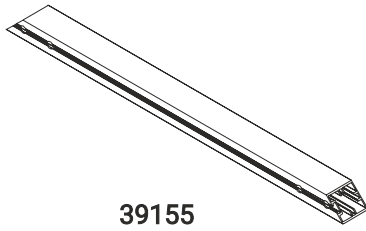


FORZA

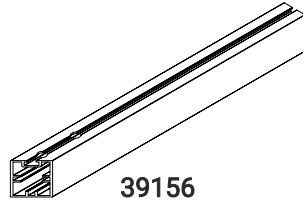
Target goal
90x60



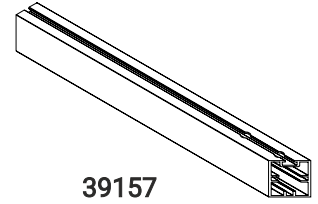
PARTS LIST



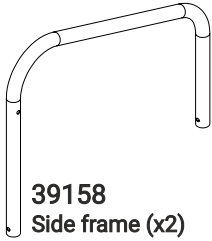
39155
Crossbar (x1)



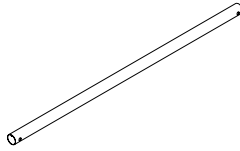
39156
Upright L/H (x1)



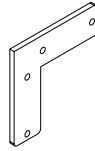
39157
Upright R/H (x1)



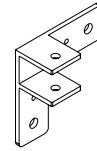
39158
Side frame (x2)



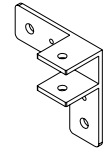
39159
Back bar (x1)



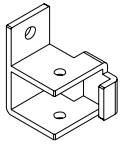
39162
Internal corner brace (x2)



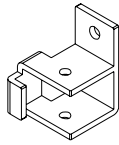
39160
Corner bracket R/H (x1)



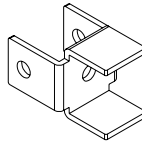
39161
Corner bracket L/H (x1)



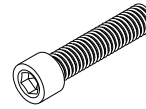
38457
Bottom bracket L/H (x1)



39163
Bottom bracket R/H (x1)



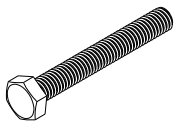
38466
Back bar joint



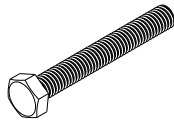
39164
M8x35 hex bolt (x8)



38099
M8 spring washer (x8)



38060
M8x55 bolt (x4)



38064
M8x45 bolt (x2)



38082
M8 lock nut (x6)



38094
M8 washer (x12)



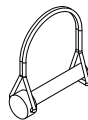
38049
M10x20 bolt (x6)



38077
M10 lock nut (x6)



38088
M10 washer (x6)

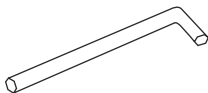


38475
securing pin (x2)

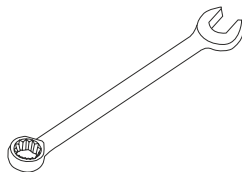


38179
push twist net clip (x1 pack)

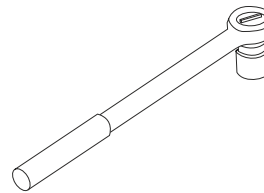
HANDY EXTRAS



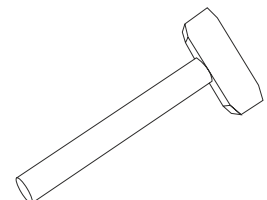
Allen Key
6mm



Wrench
13mm
17mm



Ratchet with Sockets
13mm
17mm



Rubber Mallet

*IMPORTANT

1. Read through the instruction thoroughly before assembling the goal.
2. Check parts for any defects prior to the assembly of the goal.
3. Ensure due diligence is carried out and a risk assessment followed prior to the assembly of the goal.
4. Safety/warning stickers must be visible at all times.
5. Never climb on the net or the posts.
6. Ensure the goal is checked for any signs of damage prior to use.
7. Remove nets when the goals are not in use.

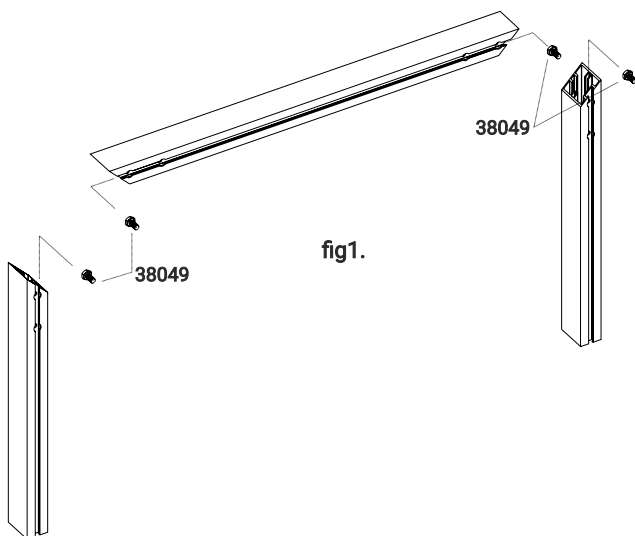
Step 1 - fit uprights to Crossbar

Lay out crossbar (39155) and both upright sections (39156 and 39157)

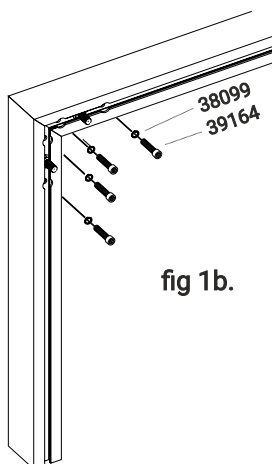
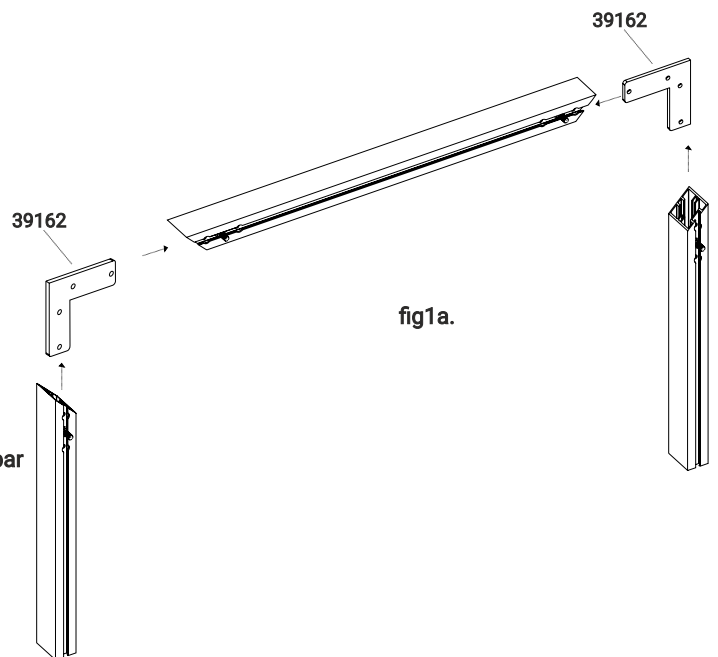
Slide 1 M10x20 bolt (38049) into each end of the crossbar locating between the 2 pre-drilled holes

Slide 1 M10x20 bolt (38049) into each of the uprights locating between the 2 pre-drilled holes

see fig1.



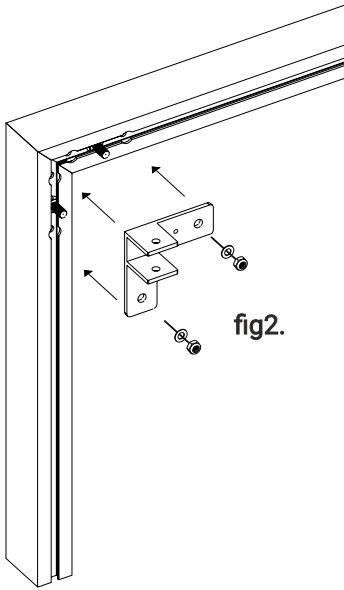
Slide 1 internal corner brace (39162) into each end of the crossbar
slide upright over the internal corner brace see fig 1a..



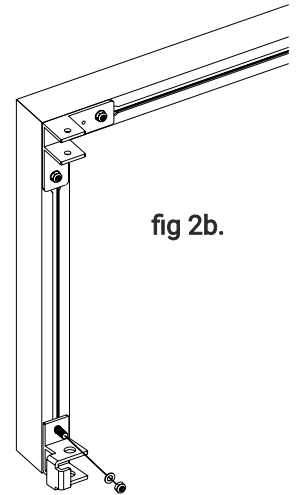
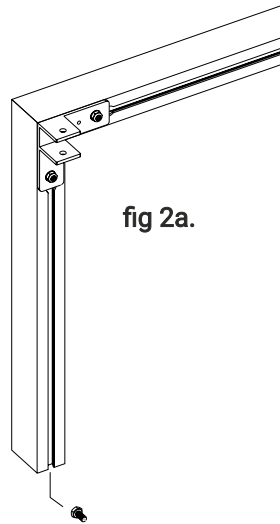
Screw M8x35 hex bolts (39164) into the crossbar and uprights ensuring M8 spring washers (38099) are in place. see fig 1b.

Step 2 - fit corner brackets

locate corner brackets (39160 and 39161) over the pre-positioned bolts in the crossbar and uprights
secure in place with M10 washer (38088) and M10 lock nut (38077)
see fig2.

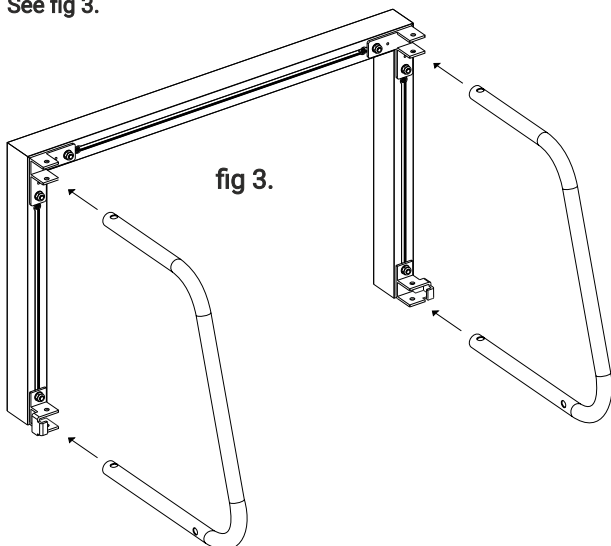


Slide 1x M10x20 bolt (38049) into the bottom of the upright
locate bottom bracket (38457 or 39163) over bolt
Secure with M10 washer (38088) and lock nut (38077)
see fig2a. and 2b.

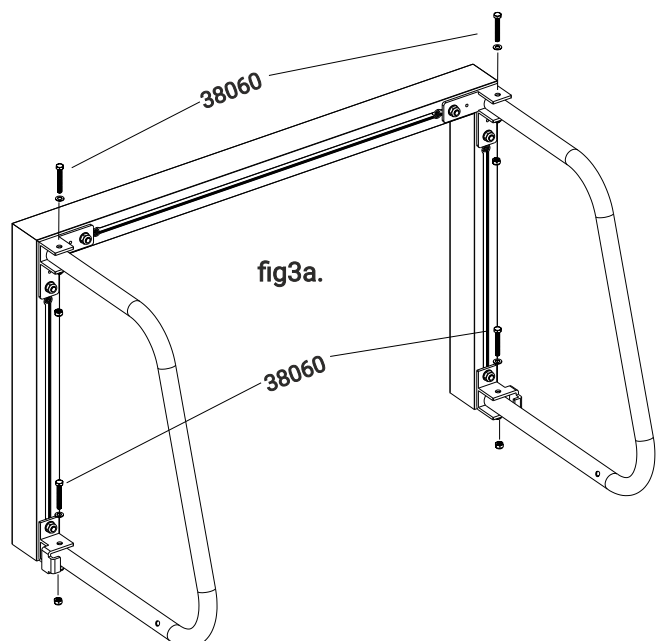


Step 3 - Side frame and back bar

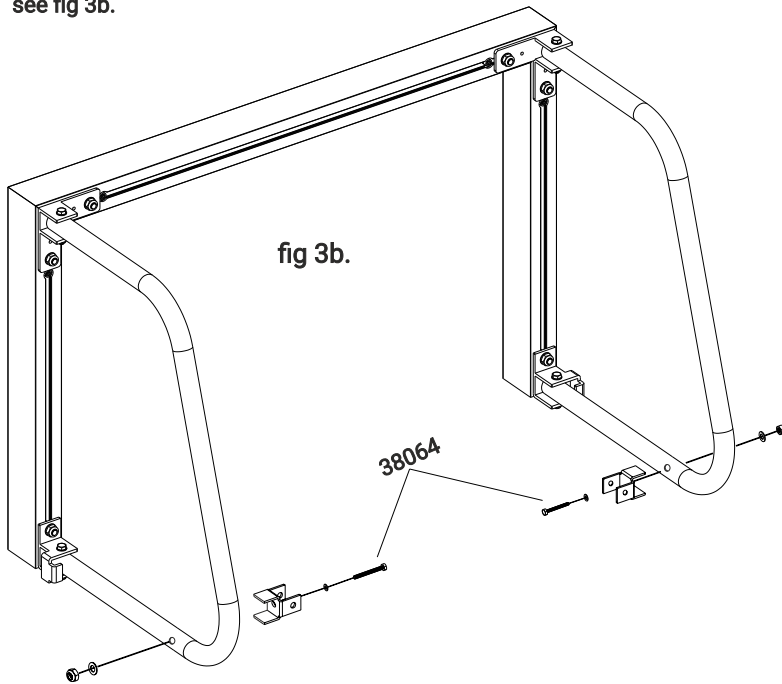
Locate the side frame (39158) into the corner bracket and bottom bracket
See fig 3.



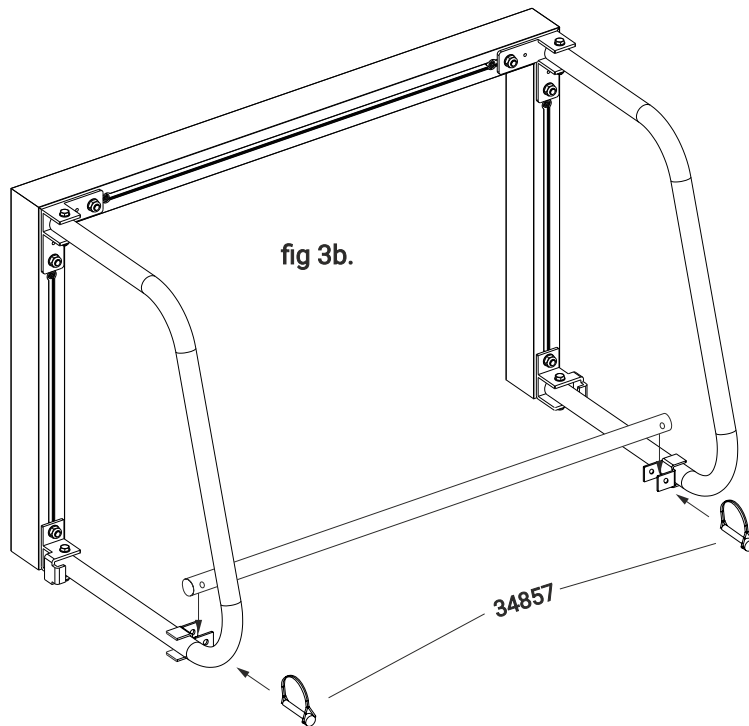
Locate M8x55 bolt (38060) through the pre-drilled holes
Secure in place with M8 lock nut (38082) and washers (38094)
See fig3a.



Locate the back bar joint (38466) over the pre-drilled hole near the back of the side frame
Locate M8x45 bolt (38064) through the holes.
Secure with M8 lock nut and washer
see fig 3b.



Locate back bar (39159) into back bar joint (38466)
secure with securing pin (38475)
see fig 3c.



Step 4 - Net

Secure the net to the goal using push and twist net clips
see fig4.

fig4.

