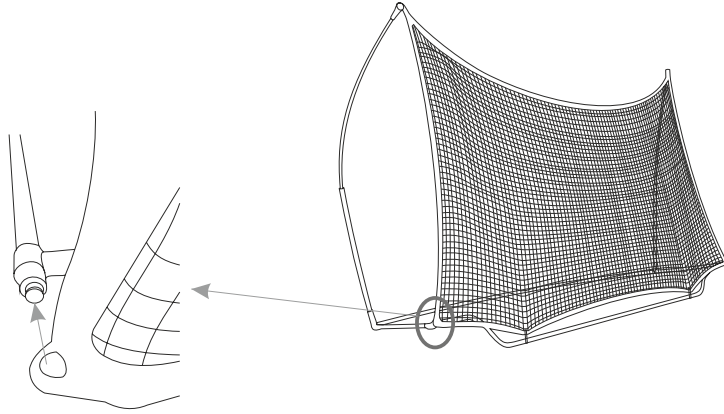
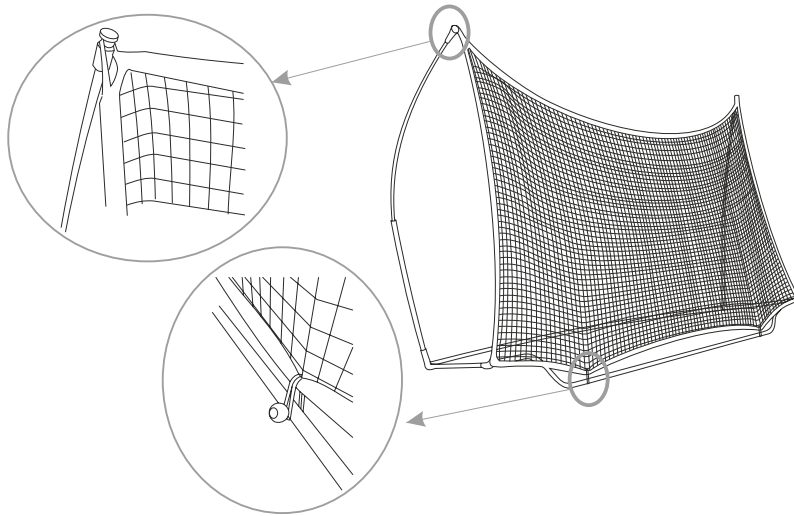


- 3** Hook the net to the front of the side frame ensuring the loop on the net is facing to the rear of the frame.



- 4** Hook the top of the net to the tension rods and then fit the bungee ties



- i**
- This product should be assembled by an adult.
 - Please check the product is fully assembled before use.
 - Once assembled this product is under tension take extreme care when disassembling.
 - Do not climb hang or swing on the frame or any other part.
 - Ensure product is secured to ground before use.
 - This product should be used on a flat surface for best results.
 - This product is not suitable to use in high wind.
 - This product is not a toy, injury can occur if miss used.

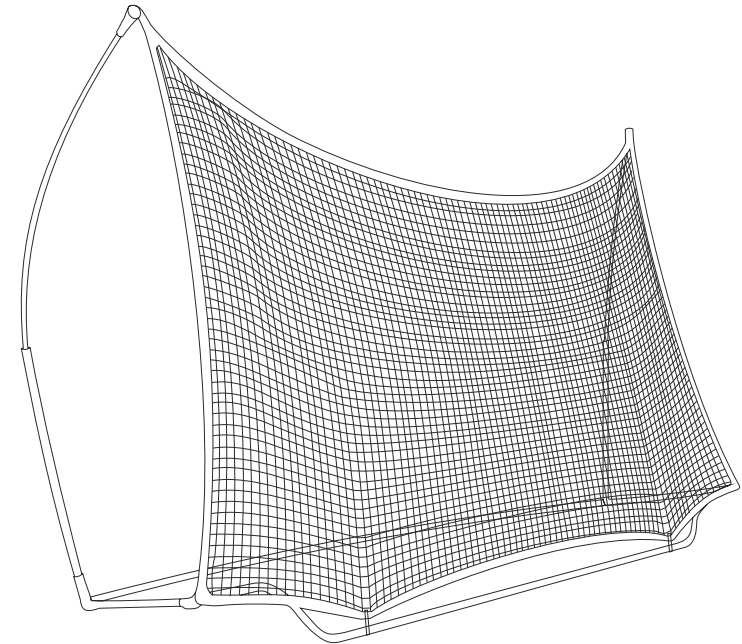
    @NetWorldSports

www.networldsports.co.uk // +44 (0) 1691 683 807 // cs@networldsports.co.uk

www.networldsports.com // 1-866-861-9095 // cs@networldsports.com

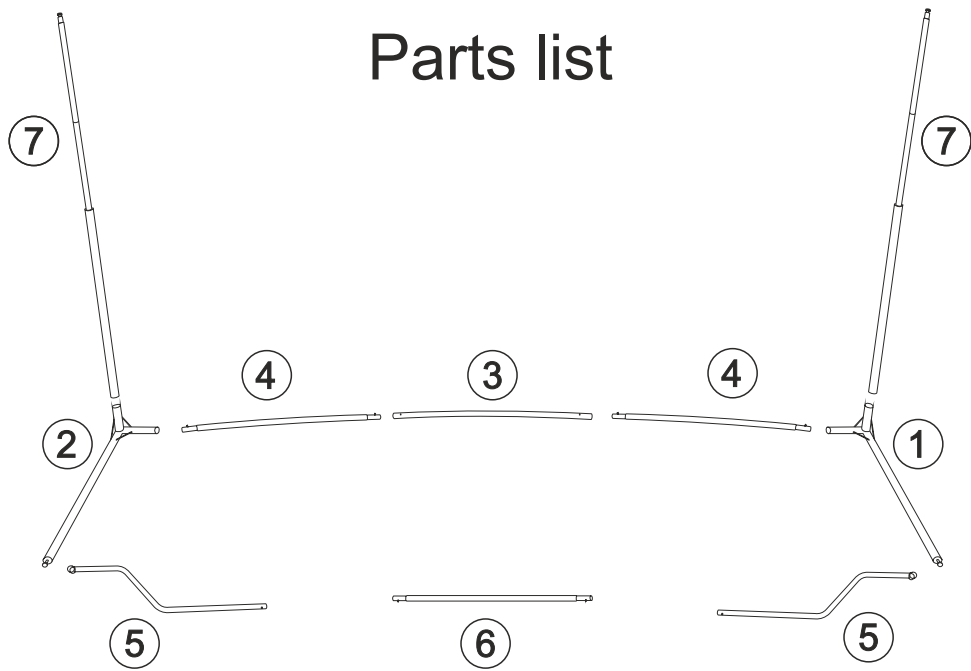
RAPIDFIRE

Flash
pop up rebounder



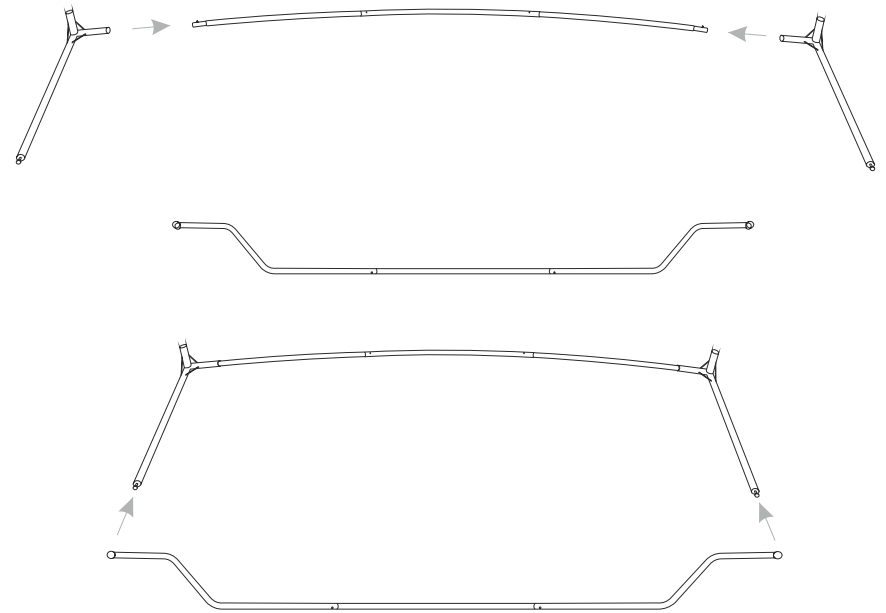
NET WORLD SPORTS 

Parts list



	ITEM	QTY
①		x1
②		x1
③		x1
④		x2
⑤		x2
⑥		x1
⑦		x2
⑧		x1 set
⑨	Bungee tie	x1 set
⑩	Net	x1

1 Assemble the frame using parts 1 to 6



2 Assemble and fit tension rods (part 7).

