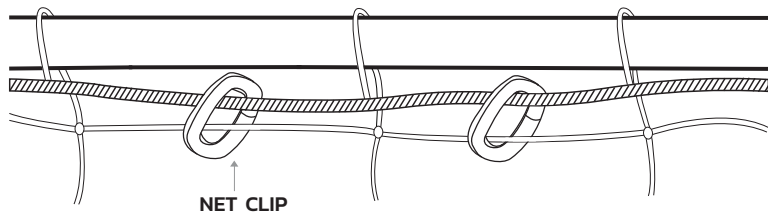


**8** Place the net over the frame. The Net World Sports label indicates the top of the net - ensure this is at the top of the crossbar. Align the side seams with the arching tension bars so that the net sits comfortably over the goal.

**9** Starting with the top corners, fit the net by wrapping it around the posts and clipping to the inside using the net clips provided. Attach clips equally along the length of the net.



**10** Anchor the goal using the provided U-pegs ensuring posts are upright and the crossbar is level. The U-pegs fit around the base and push into the ground to keep the goal steady.



### WATCH THE VIDEOS

*Learn how to assemble your goal and take your game to the next level.*

[www.youtube.com/networldsports](http://www.youtube.com/networldsports)



Always inspect goal post and net for defects before use and repair damaged parts in accordance with BS 8461:2005 code of practice.

Do not use goal with faulty parts.

The goal must always be secured to the ground. Weights to be used on hard surfaces, ground anchors on grass.

Never climb on the net or goal frame. The goal must never be used without the net fitted.

Please adhere to safety instructions at all times.

### Additional Information

When the goal is not being used dismantle and store under cover.

This goal conforms with BS8462:2005.

Not suitable for children under 3 years.

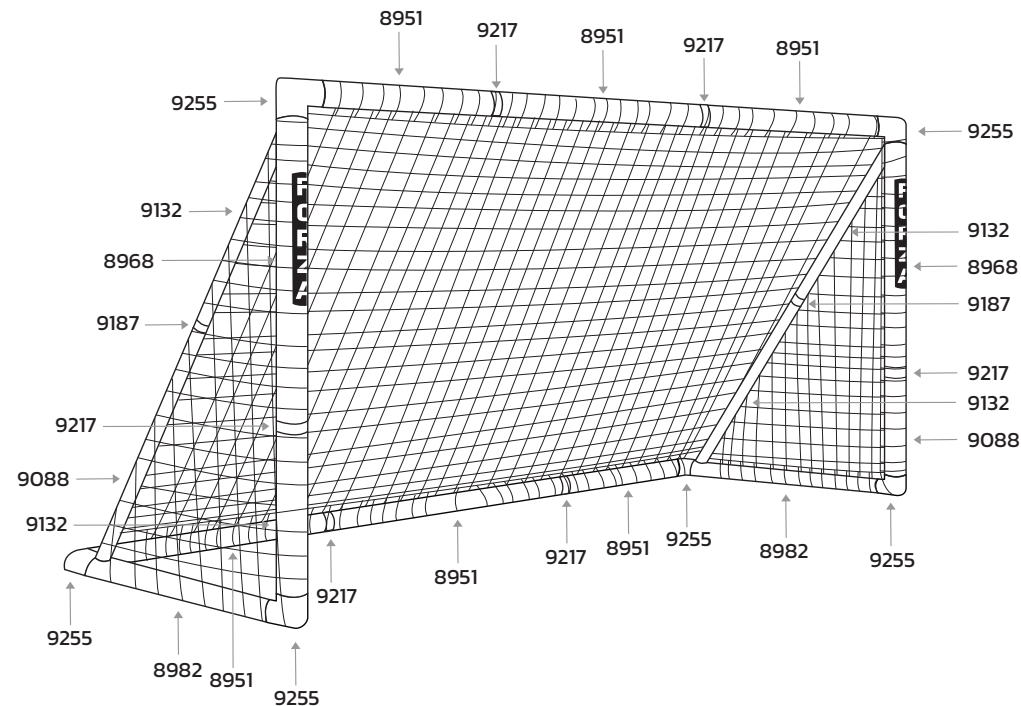
It is recommended that the goal is assembled by an adult.

Warranty excludes net.

Please see [forzagoal.com/forza-goal-instructions](http://forzagoal.com/forza-goal-instructions) for more details.

# FORZA

## 12 x 6 LOCKING



PART NO	8968	8982	8951	9088	9132	9187	9217	9255	LOCKING CLIPS	U-PEGS	NET CLIPS	NET
QTY	x2	x2	x6	x2	x4	x2	x6	x6	x1 PCK	x4	x1 PCK	x1

@NetWorldSports

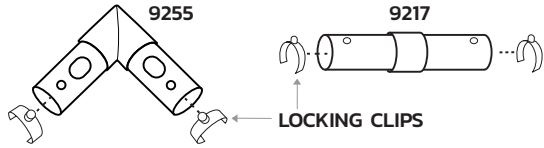
[www.networldsports.co.uk](http://www.networldsports.co.uk) // +44 (0) 1691 683 807 // [cs@networld-sports.co.uk](mailto:cs@networld-sports.co.uk)

[www.networldsports.com](http://www.networldsports.com) // 1-866-861-9095 // [cs@networld-sports.com](mailto:cs@networld-sports.com)

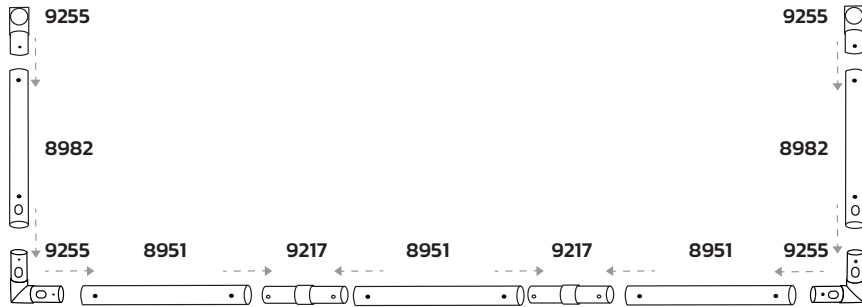
**NET WORLD SPORTS**

**1** Lay out all components and ensure that they match the parts list.

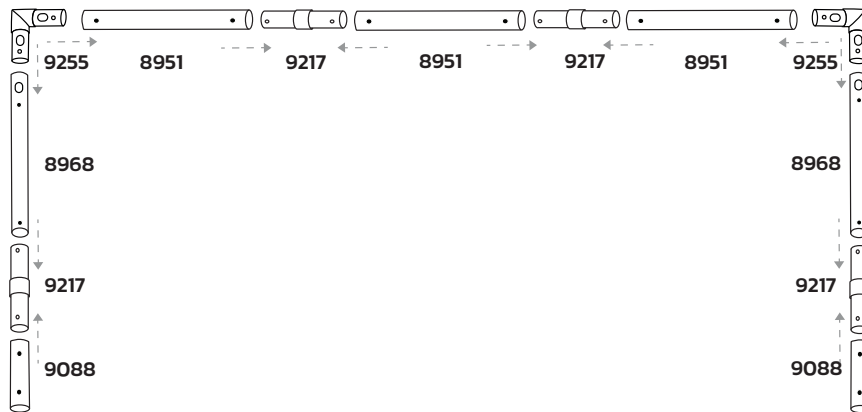
**2** Insert all Locking Clips into the connectors 9255 & 9217.



**3** Assemble the base, attaching parts 8982 & 8951 to the connectors.

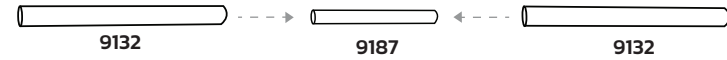


**4** Assemble the crossbar and the upright section, attaching 9088, 8968 & 8951 to connectors.



**5** Fit the crossbar (step 4) to the base (step 3), affixing the 2 x 9088 to the 2 x 9255.

**6** Assemble both arching tension bars, connecting 2 x 9132 to 1 x 9187.



**7** Lay the goal on its front. Fit the tension bars to the uprights, before returning the goal to the correct position. Secure the tension bars into the base. The tension bars will flex, allowing them to be put into place.

