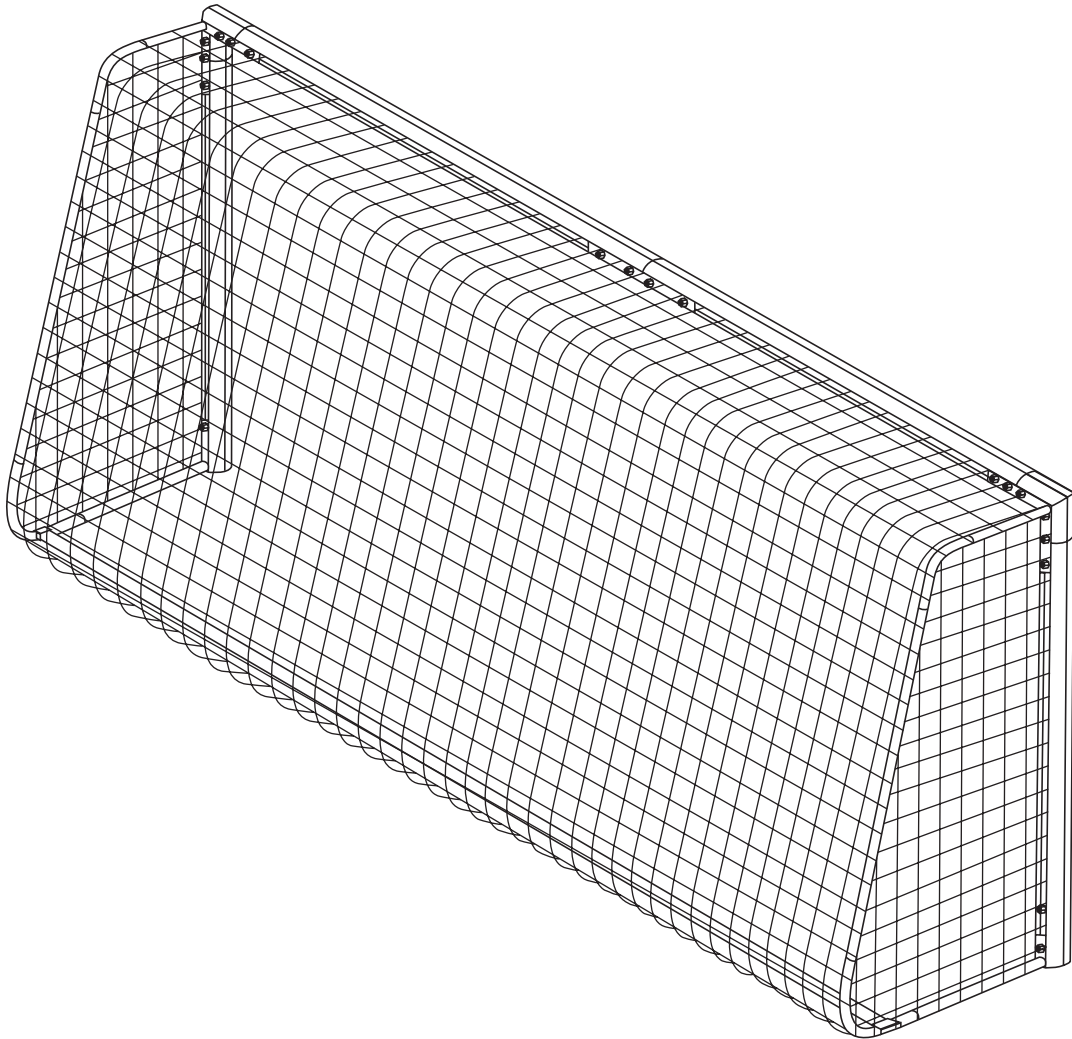


FORZA

ALU60

12x6 FOOTBALL GOAL



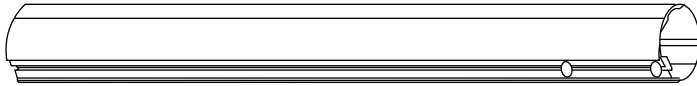
NET WORLD SPORTS»

    @NetWorldSports

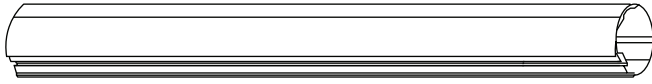
www.networldsports.co.uk // +44 (0) 1691 683 807 // cs@networldsports.co.uk

www.networldsports.com // 1-866-861-9095 // cs@networldsports.com

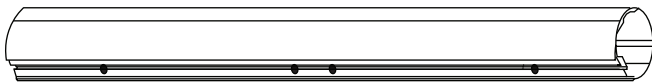
PARTS LIST



38228
Crossbar (2x)



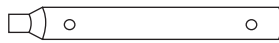
38233
Upright (2x)



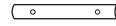
38260
Crossbar Connector (1x)



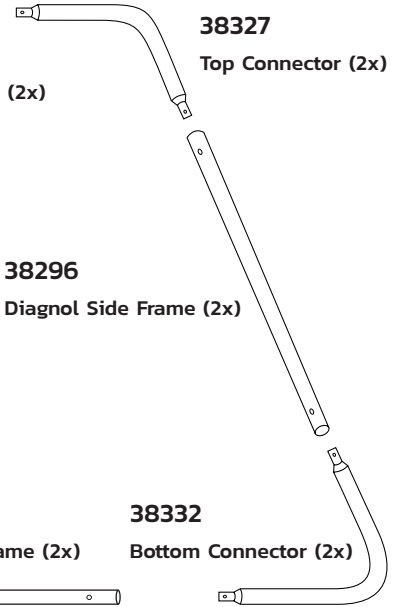
38399
F/F Backbar (1x)



38403
M/F Backbar (1x)



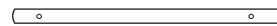
38264
Top Side Frame (2x)



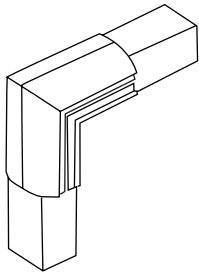
38296
Diagonal Side Frame (2x)

38300
Bottom Side Frame (2x)

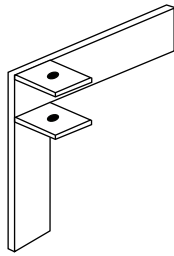
38332
Bottom Connector (2x)



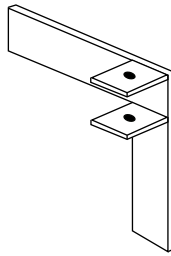
38462
Straight Bracket (1x)



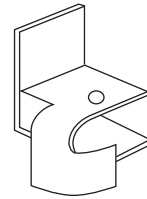
38444
Corner Joint (2x)



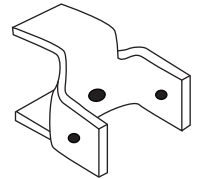
38453
Corner Bracket Left (1x)



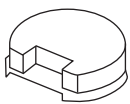
38448
Corner Bracket Right (1x)



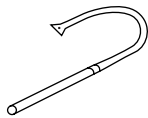
38457
Bottom Bracket (2x)



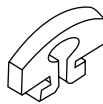
38466
Backbar Joint (2x)



38471
End Cap (2x)



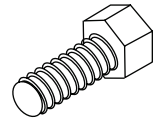
38475
Securing Pin (2x)



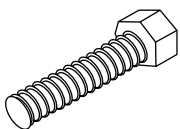
38174
Push & Twist Clip (31x)



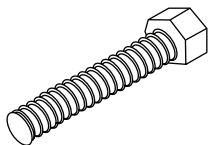
38179
Net Clip (7x)



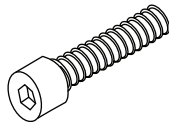
38049
M10x20 (18x)



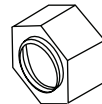
38064
M8x45 (9x)



38060
M8x55 (4x)



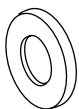
38071
M8x20 Hex (4x)



38077
M10 Lock Nut (18x)



38082
M8 Lock Nut (13x)



38088
M10 Washer (18x)



38094
M8 Washer (26x)

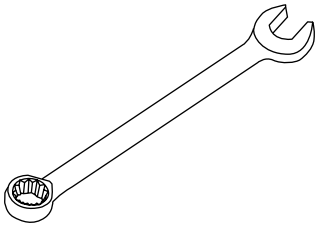


38099
M8 Spring Washer (4x)

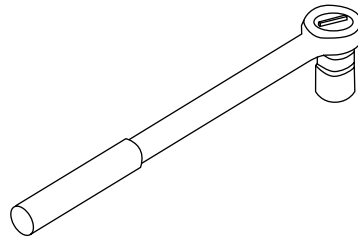


Net (1x)

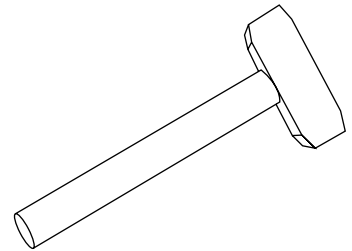
HANDY EXTRAS



Wrench



Ratchet with Sockets



Rubber Mallet



Allen Key



Step Ladder

*IMPORTANT

1. Read through the instruction thoroughly before assembling the goal.
2. Check parts for any defects prior to the assembly of the goal.
3. Ensure due diligence is carried out and a risk assessment followed prior to the assembly of the goal.
4. Safety/warning stickers must be visible at all times.
5. Goal must be anchored at all times.
6. Never climb on the net or the posts.
7. Ensure the goal is checked for any signs of damage prior to use.
8. Use extreme caution when moving the goal.
9. Remove nets when the goals are not in use.

STEP 1 - Crossbar (Fig. 1)

Lay out the Crossbar (38228) and Connector (38260).

Slide 2x M10x20 Bolts (38049) into each Crossbar section ensuring they are between the holes as per the diagram.

Slot the Connector (38260) into the Crossbar ensuring that the holes align.

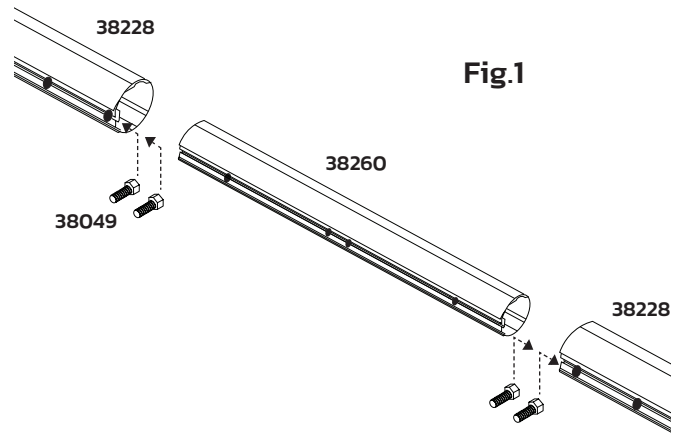


Fig.1

STEP 2 - Crossbar (Fig. 2)

Screw 4x M8 Hex Bolts (38071) into Connector (38260) ensuring the 4x M8 Spring Washers (38099) are in place as per diagram.

Slide the Straight Bracket (38027) onto the M10 Bolts (38049).

Place M10 Washers (38088) over pre-inserted bolts and secure in place with M10 Nuts (38077).

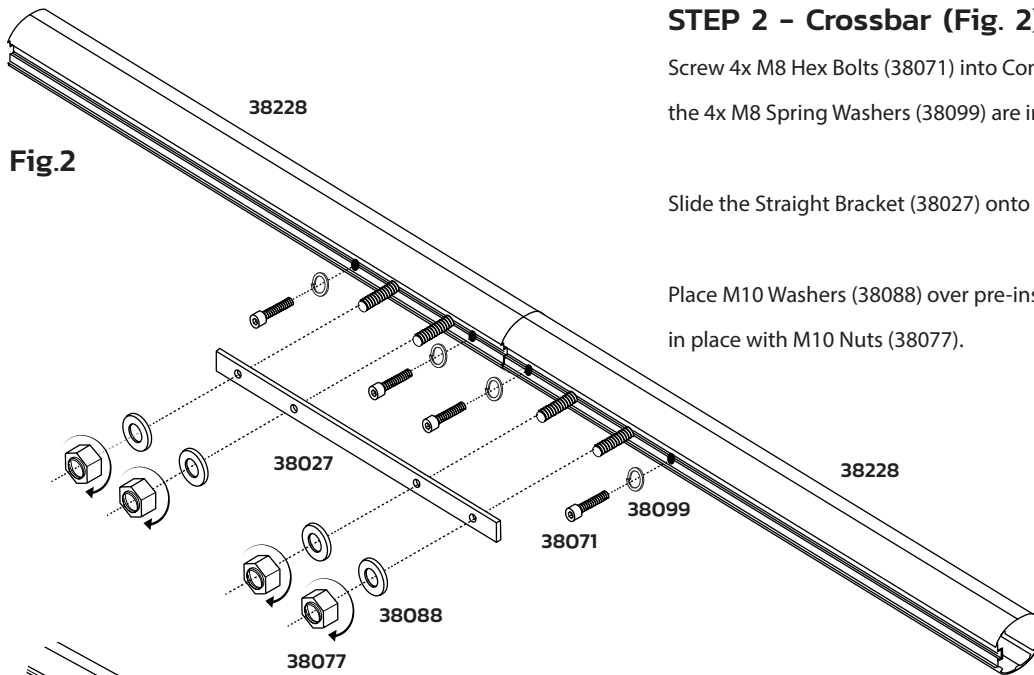


Fig.2

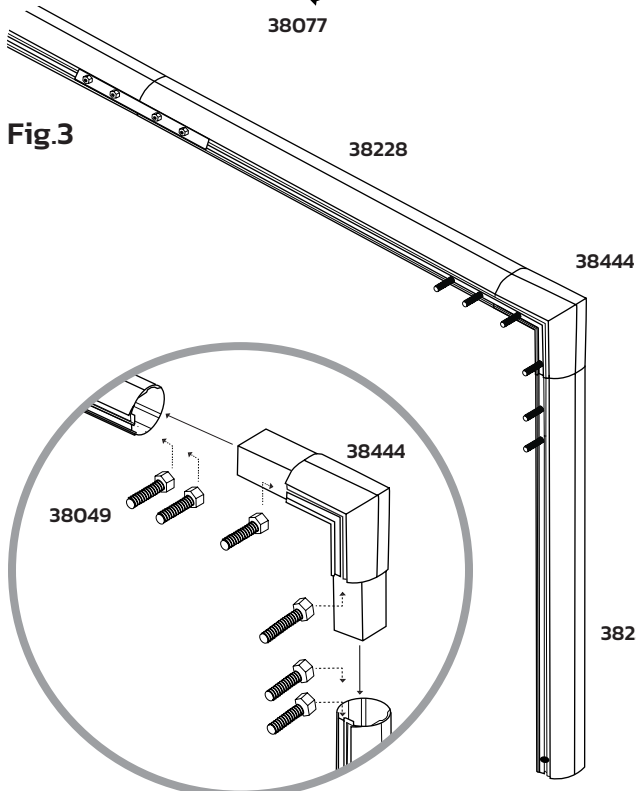
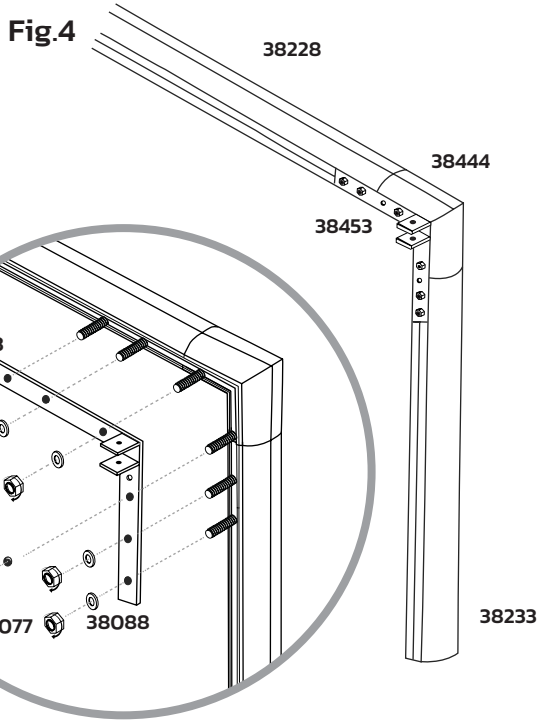


Fig.3

STEP 3 - Attach Crossbar to Uprights (Fig. 3)

Slide 6x M10x20 Bolts (38049) into both Corner Joints (38444).

Attach the Corner Joints to the Crossbar and Uprights (38233).



STEP 4 - Fixing Crossbar to Uprights (Fig. 4)

Place the Left Corner Bracket (38453) onto the Corner Joint (38444).

Ensure the M10x20 Bolts (38049) are positioned correctly and slot through the holes of the Corner Bracket.

Place M10 Washers (38088) over bolts and secure Corner Bracket in place with M10 Nuts (38077).

Repeat for Right Corner Bracket (38448).

Step 5 - Fix Bottom Bracket to Uprights (Fig. 5)

Slide 1x M10x20 Bolt (38049) into the base of both Uprights (38233).

Place the Bottom Brackets (38457) onto the Uprights and ensure the M10x20 Bolts slot through the holes of the Bottom Brackets, as per diagram.

Fix the End Cap (38471) to the bottom of both Uprights.

Secure the Bottom Brackets, using an M10 Washer (38088) and M10 Lock Nut (38077) on each Bracket.

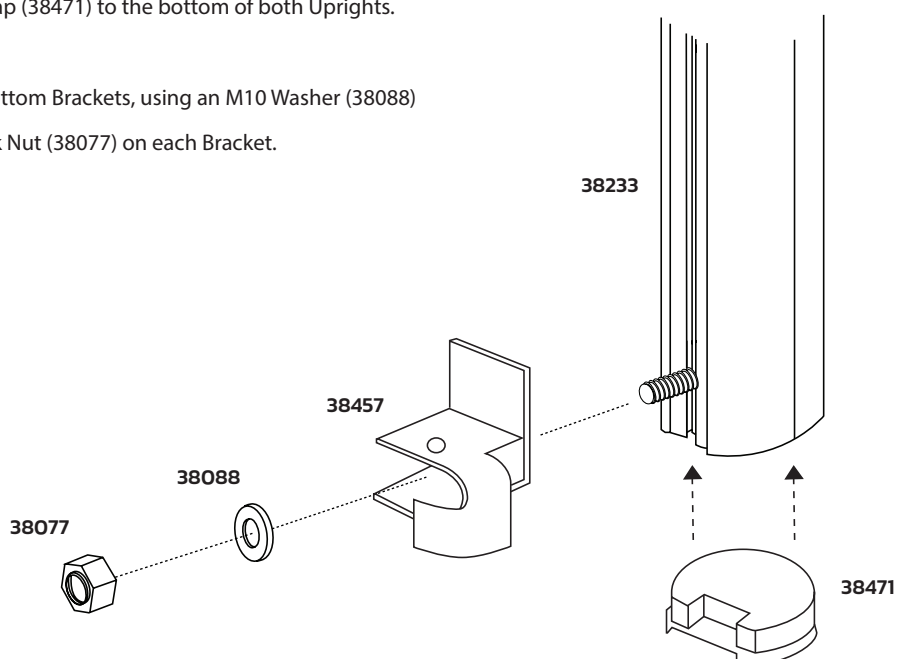
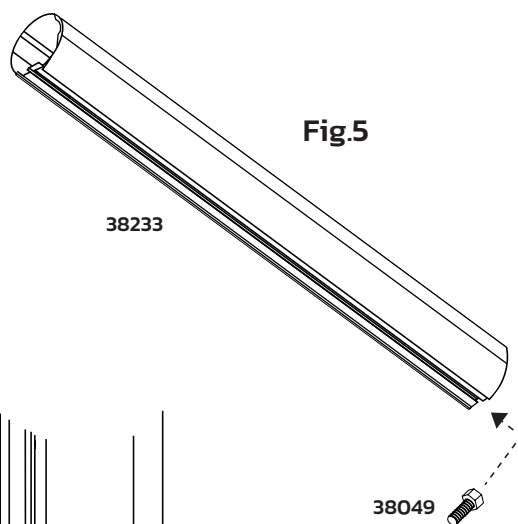
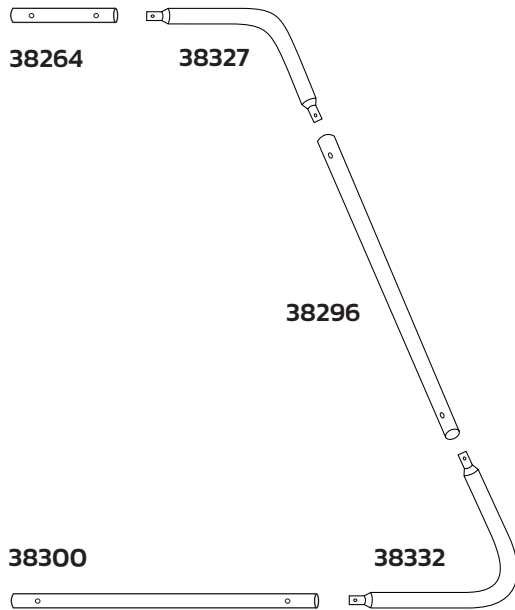


Fig.6



Step 6 –Side Frames (Fig. 6)

Lay out the parts for each Side Frame (38264, 38327, 38296, 38332 & 38300).

Slot each part together as per the diagram. Place an M8 Washer (38094) onto an M8x45 Bolt (38064) and slot through each hole on the Side Frames.

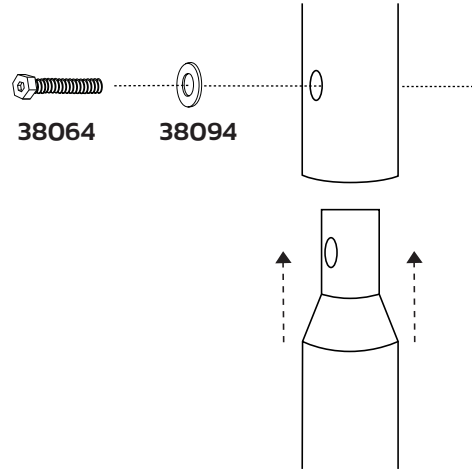
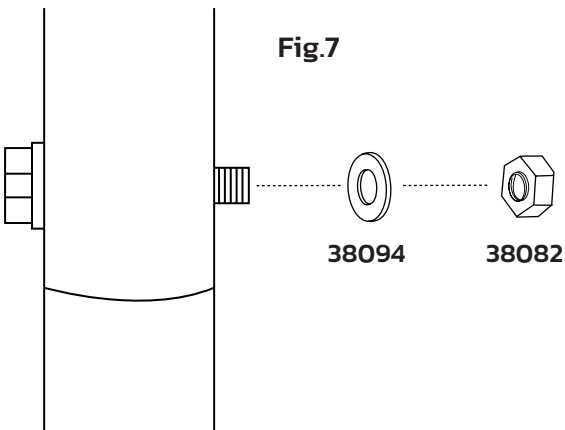


Fig.7



Step 7 – Side Frames (Fig. 7)

Note: Do not secure the bolt on the Bottom Side Frame (38300), see Step 8.

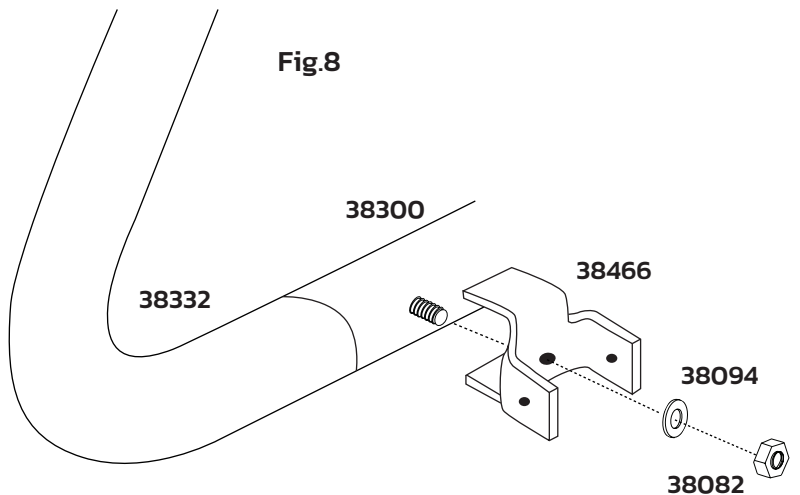
Place another M8 Washer (38094) onto the end of each M8x45 Bolt (38064) as per the diagram, and secure with an M8 Lock Nut (38082).

Step 8 – Fix Backbar Joints to Side Frames (Fig. 8)

Place the Backbar Joints (38466) over the remaining unsecured M8x45 Bolts (38064).

Secure each Backbar Joint to the Bottom Side Frame (38300) with an M8 Washer (38094) and M8 Lock Nut (38082).

Fig.8



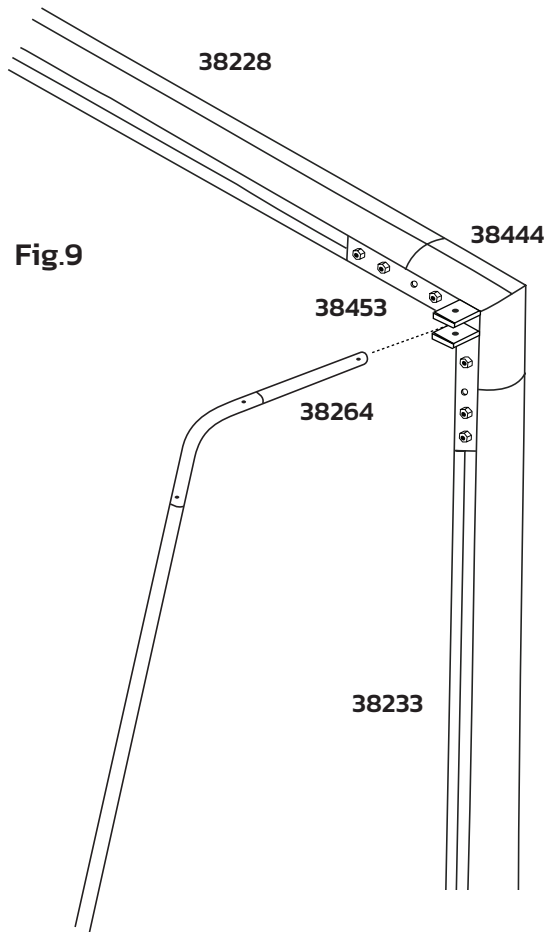


Fig.9

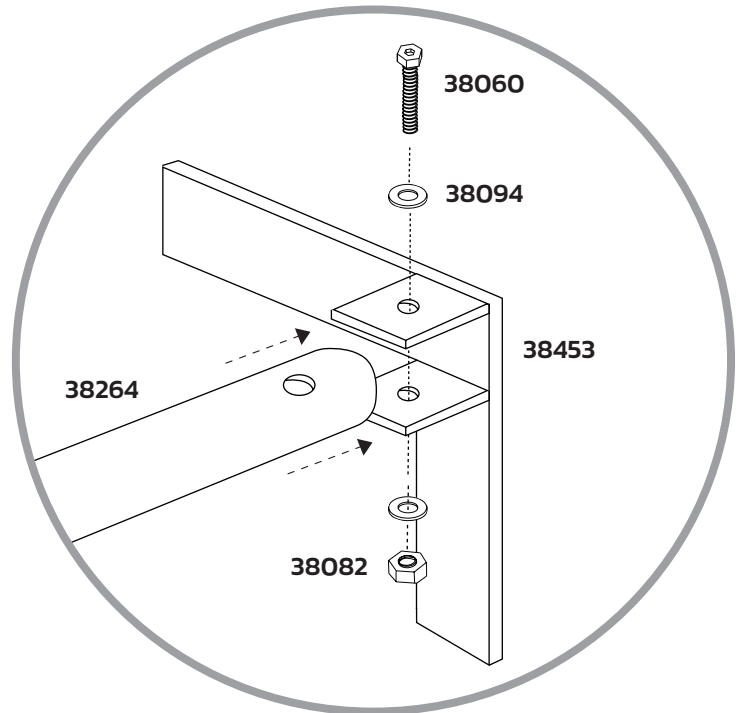
Step 9 – Attach Side Frames to Goal Frame (Fig. 9)

Position the top of the Side Frames (38264) so that the holes line up with the Corner Brackets (38453 & 38448).

Slide an M8 Washer (38094) onto M8x55 Bolt (38060), and place through the top of the holes as per diagram.

Secure the bolt using another M8 Washer and M8 Lock Nut (38082).

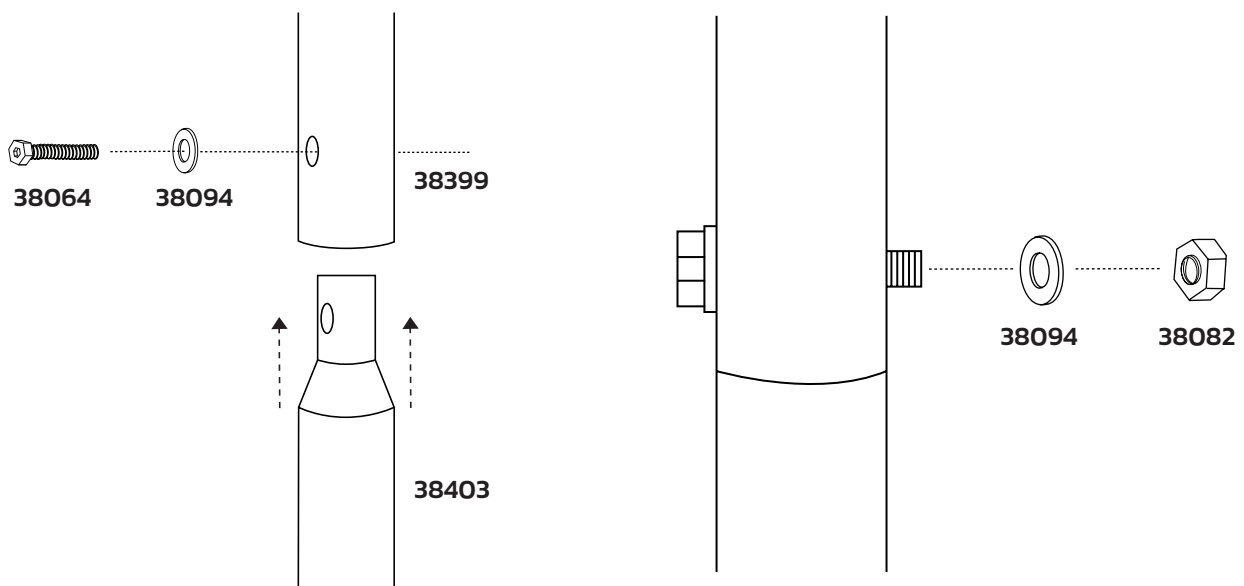
Repeat the process for Bottom Brackets (38457).



Step 10 –Backbar (Fig. 10)

Slot Backbar pieces (38399 & 38403) together.

Place an M8x45 Bolt (38064) through an M8 Washer (38094) and aligned holes, before securing with an M8 Lock Nut (38082).



Step 11 – Secure the Backbar to Side Frame (Fig. 11)

Place the Backbar within the Backbar Joints (38466).

Use the Securing Pins (38475) to fasten the Backbar into place.

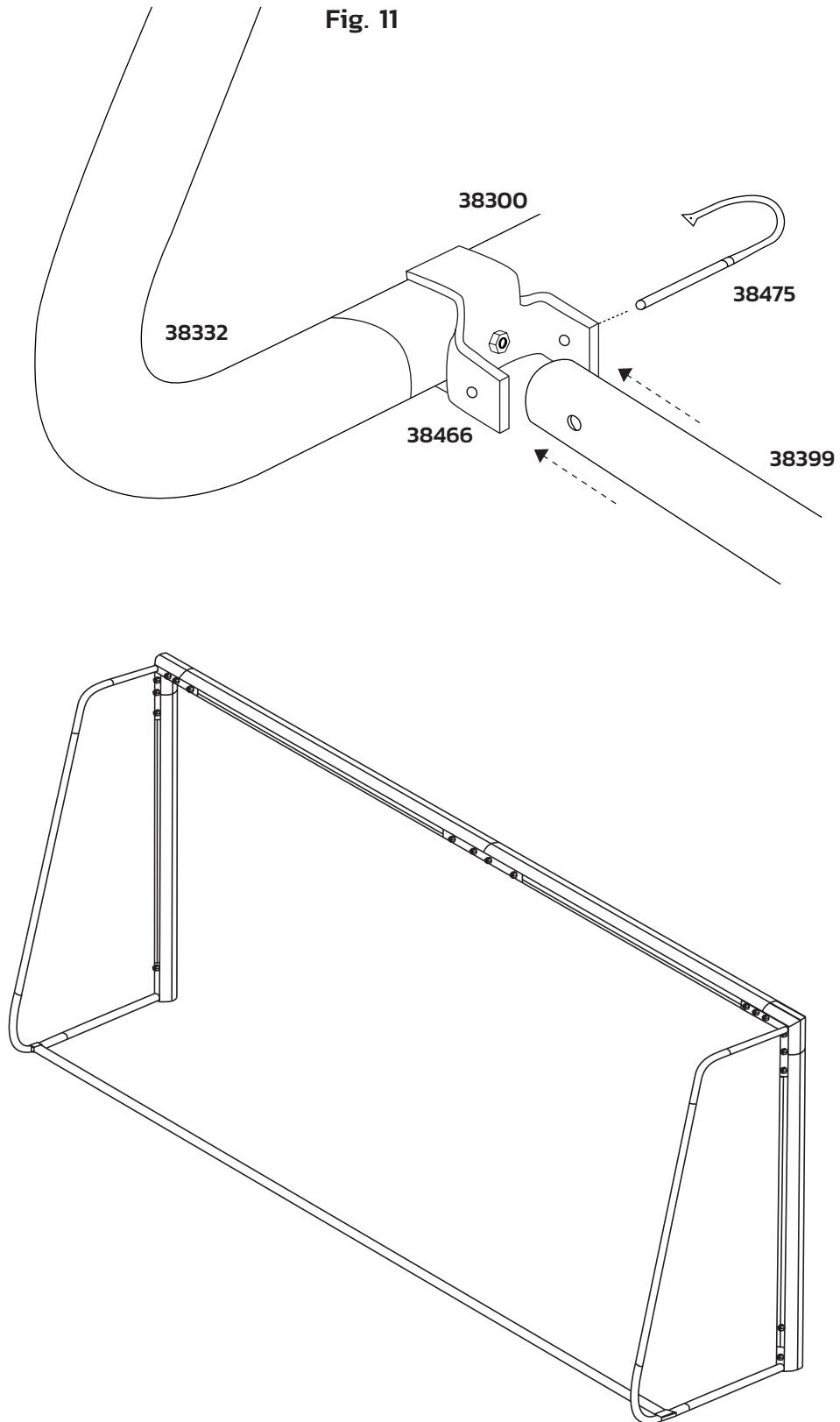
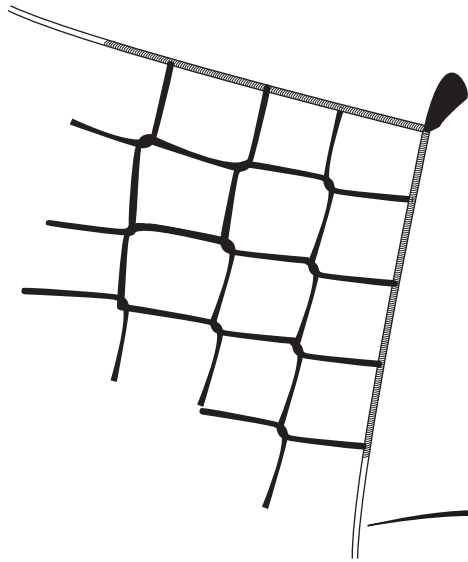


Fig.12a



Step 12 – Net

Place the net over the frame, noting that the red tabs denote the top corners of the net as per Fig. 12a.

Attach the net to the frame using Push and Twist Clips (38174) as per Fig. 12b.

Fix net in place over brackets using Net Clips (38179) as per Fig. 11c.

Secure the net along the Backbar, using Cable Ties.

Fig.12b

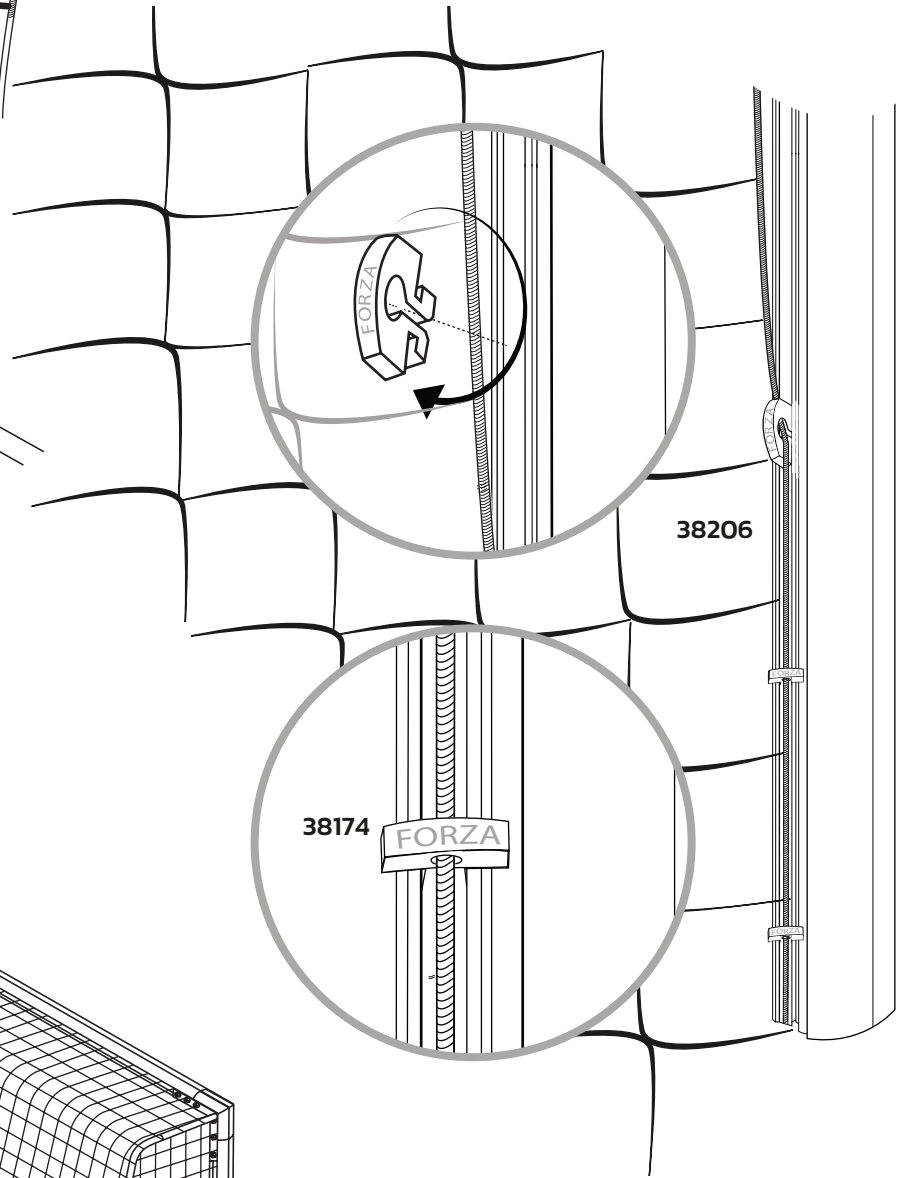


Fig.12c

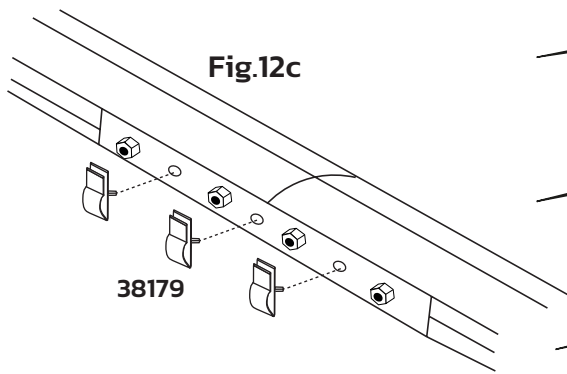


Fig.12

