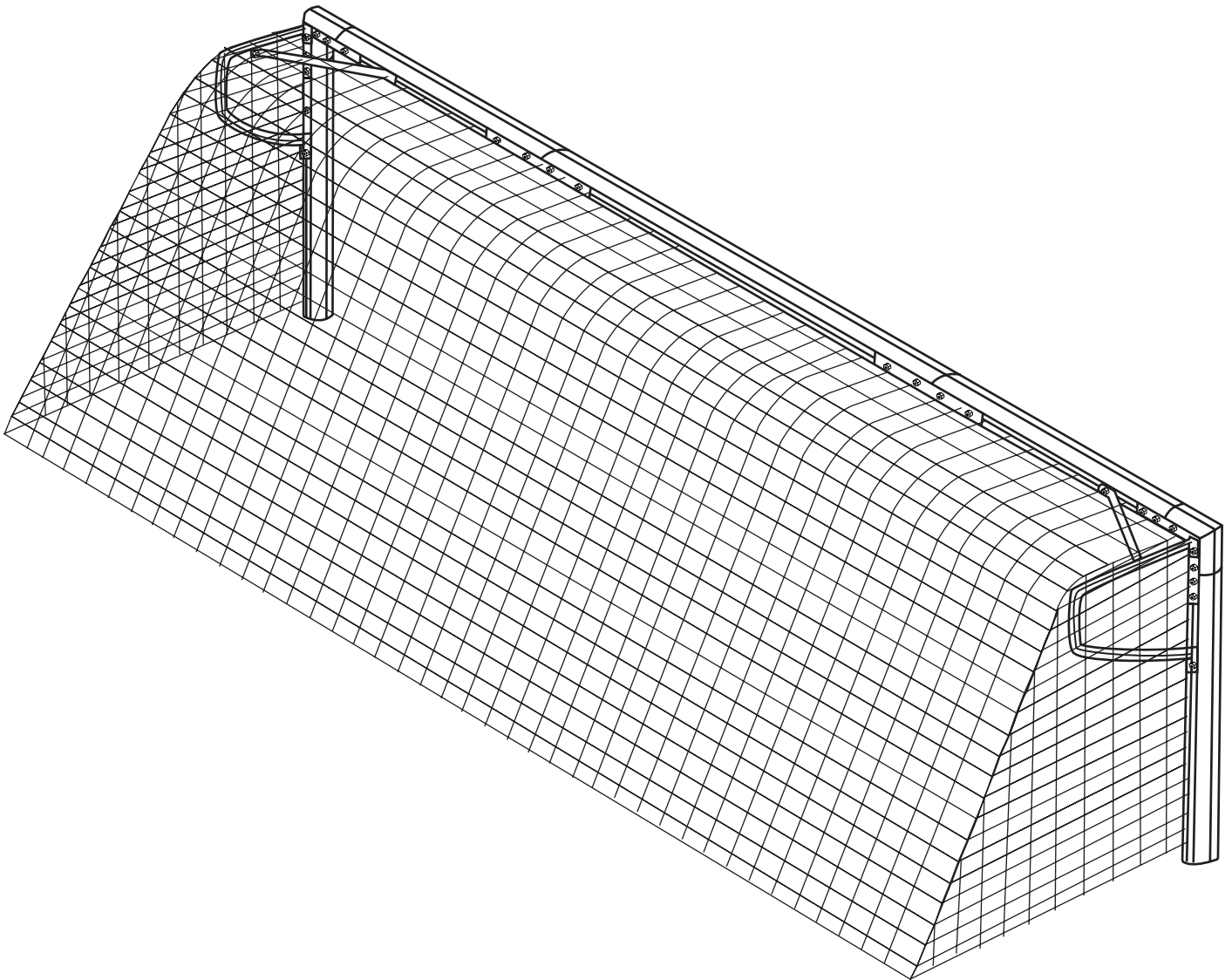



FORZA

ALU110

24x8 SOCKETED GOAL



NET WORLD SPORTS»

    @NetWorldSports

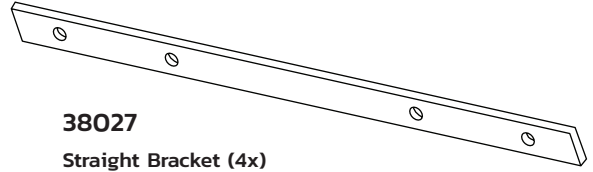
www.networldsports.co.uk // +44 (0) 1691 683 807 // cs@networld-sports.co.uk

www.networldsports.com // 1-866-861-9095 // cs@networld-sports.com

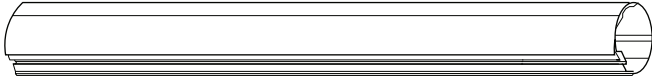
PART LIST



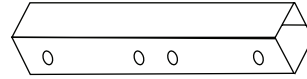
37852
Crossbar (2x)



38027
Straight Bracket (4x)



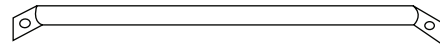
38138
Upright (4x)



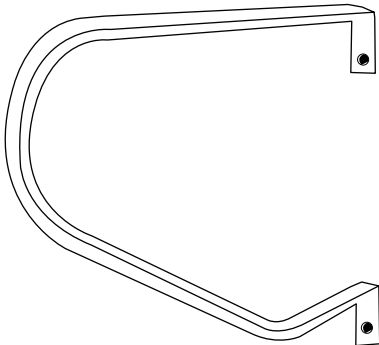
37934
Crossbar Connector (4x)



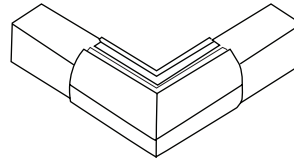
37857
Middle Section (1x)



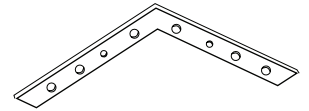
38005
Crossbrace (2x)



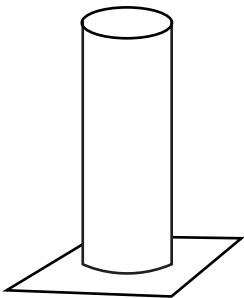
38164
D Bracket (2x)



38016
Corner Joint (2x)



38033
Corner Bracket (2x)



38169
Ground Sockets (2x)



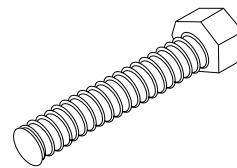
38174
Ground Sockets Caps (2x)



Push & Twist Net Clips 38174
1x Pack



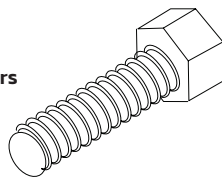
Net Clips 38179
1x Pack



38066
M8x55 (2x)



38099
M8 Spring Washers (16x)



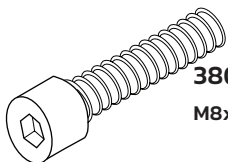
38055
M10x25 (2x)



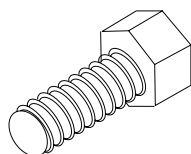
38088
M10 Washer (32x)



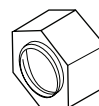
38094
M8 Washer (4x)



38071
M8x20 Hex (16x)



38049
M10x20 (30x)

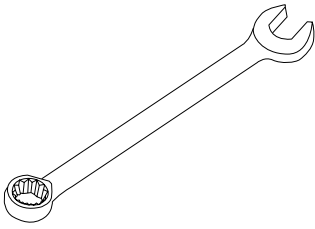


38077
M10 Lock Nut (32x)

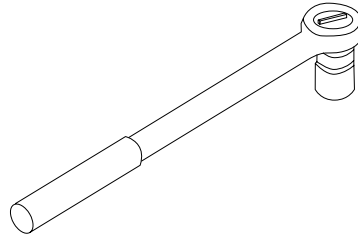


38082
M8 Lock Nut (2x)

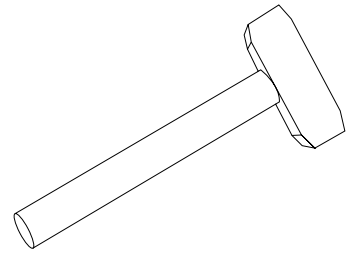
HANDY EXTRAS



Wrench



Ratchet with Sockets



Rubber Mallet



Step Ladder



Allen Key

***IMPORTANT**

1. Read through the instruction thoroughly before assembling the goal.
2. Check parts for any defects prior to the assembly of the goal.
3. Ensure due diligence is carried out and a risk assessment followed prior to the assembly of the goal.
4. Safety/warning stickers must be visible at all times.
5. Ensure the goal is socketed properly before use.
6. Never climb on the net or the posts.
7. Ensure the goal is checked for any signs of damage prior to use.
8. Remove nets when the goals are not in use.

STEP 1 - Crossbar (Fig. 1)

Layout the Crossbar (37852 and Connector (37934).

Slide 2x M10x20 Bolts (38049) into each

Crossbar Section (37852).

Slot the Connector (37934) into the Crossbar (37852) ensuring that the holes align.

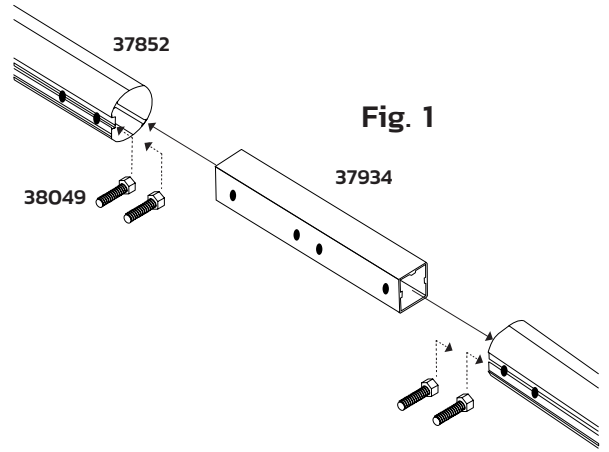


Fig. 1

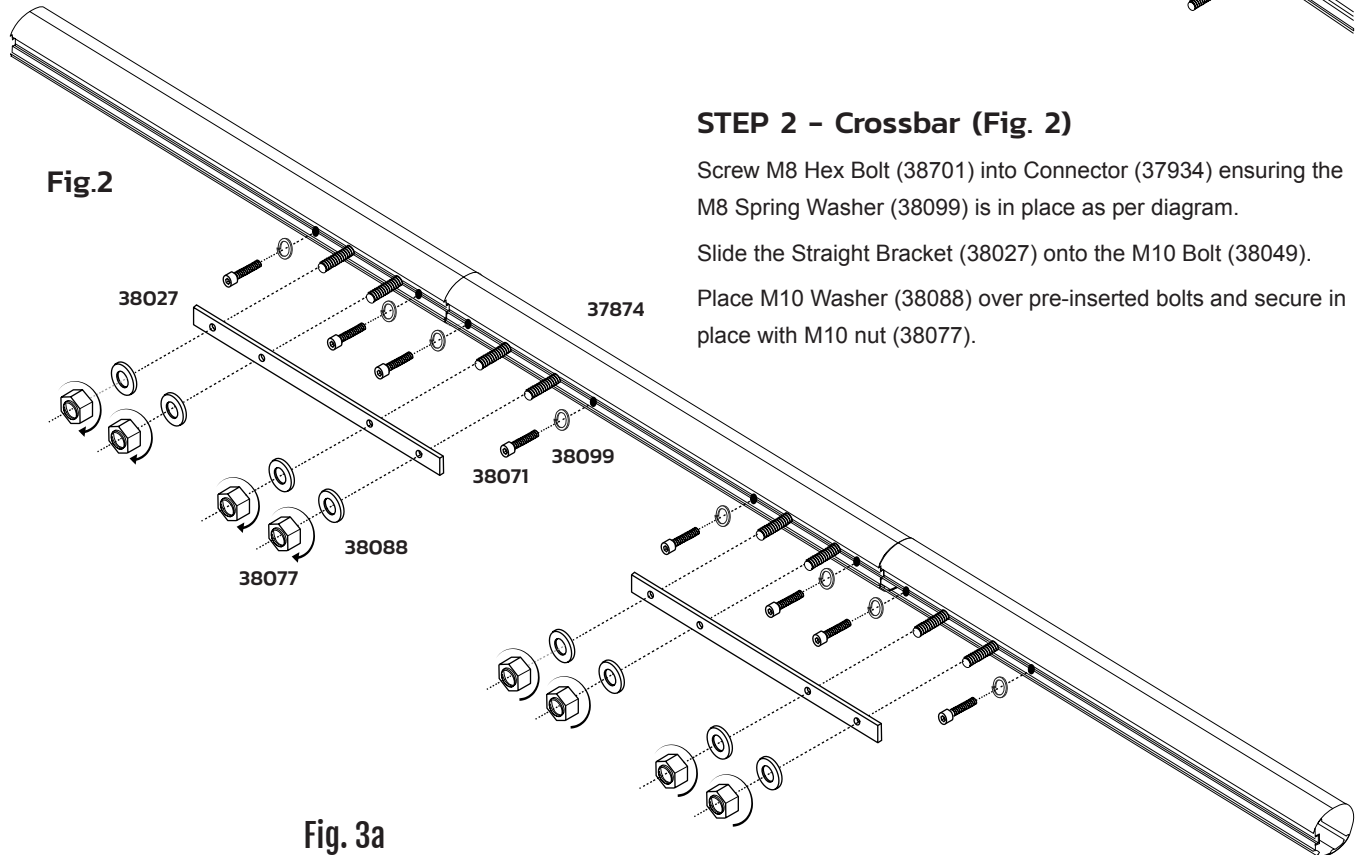


Fig.2

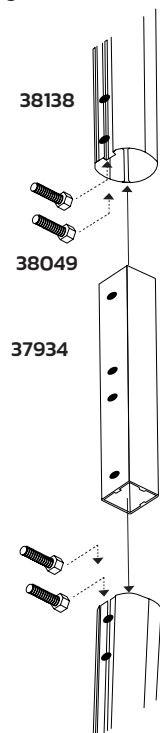
STEP 2 - Crossbar (Fig. 2)

Screw M8 Hex Bolt (38701) into Connector (37934) ensuring the M8 Spring Washer (38099) is in place as per diagram.

Slide the Straight Bracket (38027) onto the M10 Bolt (38049).

Place M10 Washer (38088) over pre-inserted bolts and secure in place with M10 nut (38077).

Fig. 3a



STEP 3- Uprights (Fig. 3a)

Layout the Upright (38138) and Connector (37934).

Slide 2x M10x20 Bolts (38049) into each

Upright Section (38138).

Slot the Connector (37934) into the Upright (38138) ensuring that the holes align.

STEP 4 - Uprights (Fig. 3b)

Screw M8 Hex Bolt (38701) into Connector (37934) ensuring the M8 Spring Washer (38099) is in place as per diagram.

Slide the Straight Bracket (38027) onto the M10 Bolt (38099).

Place M10 Washer (38088) over pre-inserted bolts and secure in place with M10 nut (38077).

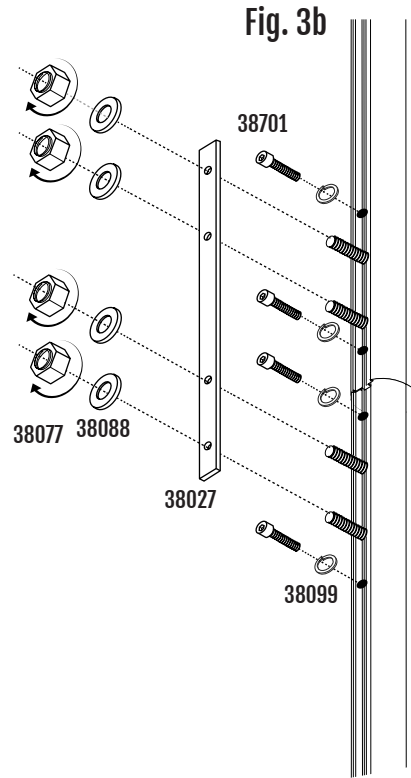
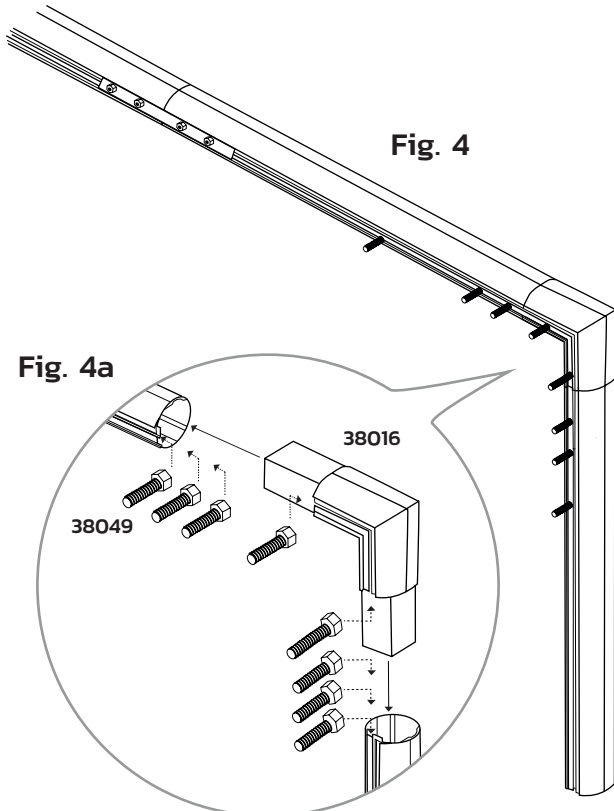


Fig. 4



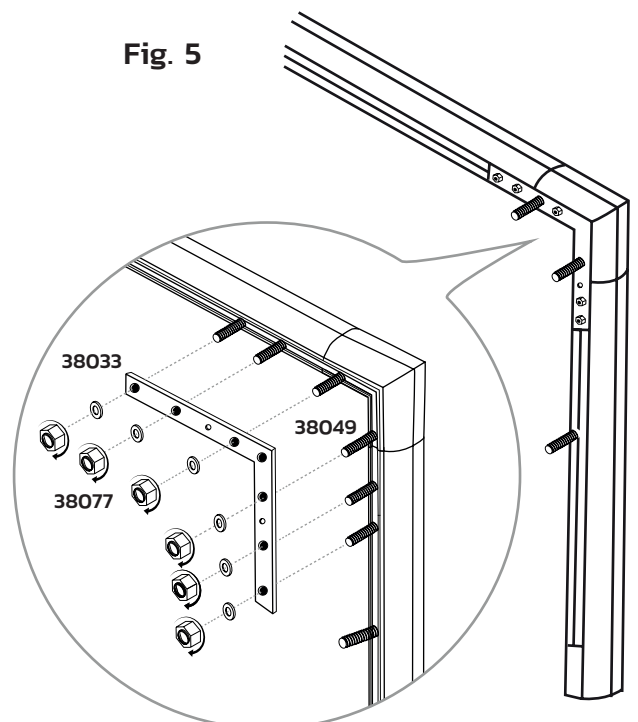
STEP 5 - Attach Crossbar to Uprights (Fig. 5)

Slide 4x M10x20 Bolts (38049) into the Crossbar.

Slide 1x M10x20 Bolt (38049) into Corner (38016) and 2x M10x20 Bolts into the Upright as per Fig. 4a.

Slide the Corner into the Crossbar and Upright.

Fig. 5



STEP 6 - Fixing Crossbar to Uprights (Fig. 5)

Place Corner bracket (38033) over the prepositioned bolts.

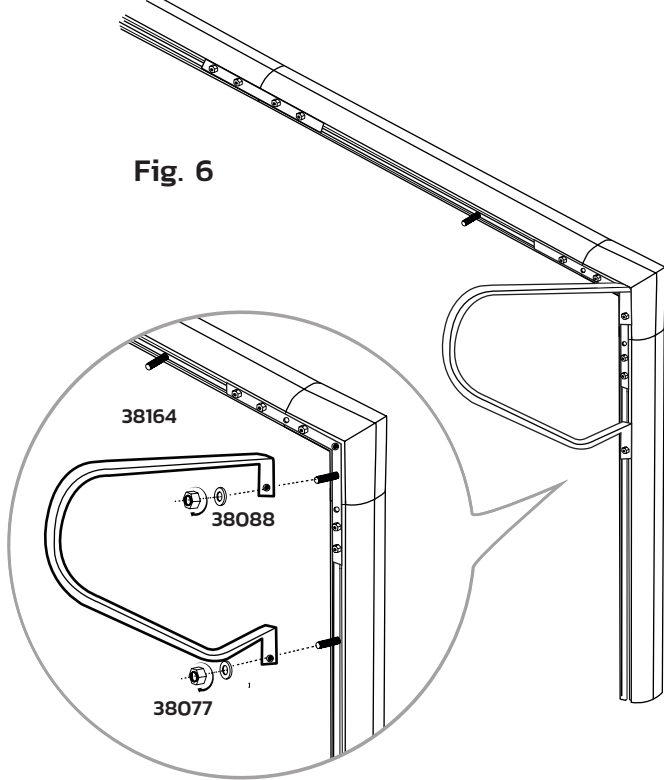
Place M10 Washers (38088) over bolts.

Secure in place with M10 nuts (38077).

Leave M10x20 Bolt (38049) free for D-Bracket.

Repeat for both sides.

Fig. 6



Step 7 - D-Brackets (Fig. 6)

Slide the D-Brackets (38164) over the prepositioned Bolts.

Place M10 Washers (38088) over Bolts.

Fix in place with M10 Nuts (38077).

Step 8 - Cross Brace (Fig. 7)

Fix the Cross Brace (38005) to the D-Bracket with M8x55 Bolts (38060), M8 Washers (38094), and M8 Nut (38082).

Place Cross Brace (38005) over the prepositioned bolt in the Crossbar securing it in place with an M10 Washer (38088) and M10 Nut (38077).

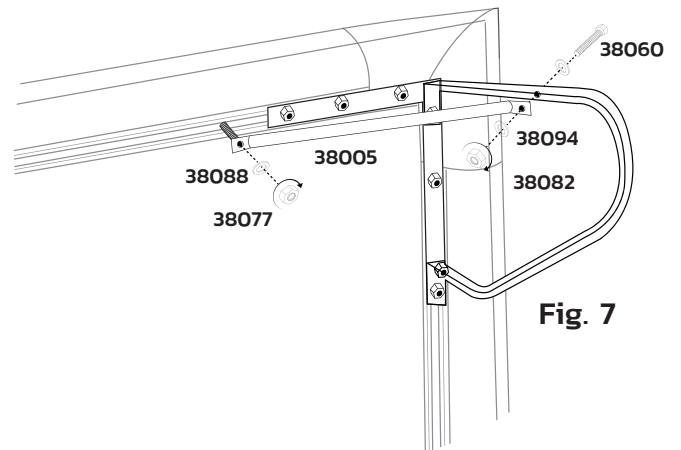


Fig. 7

Fig. 8

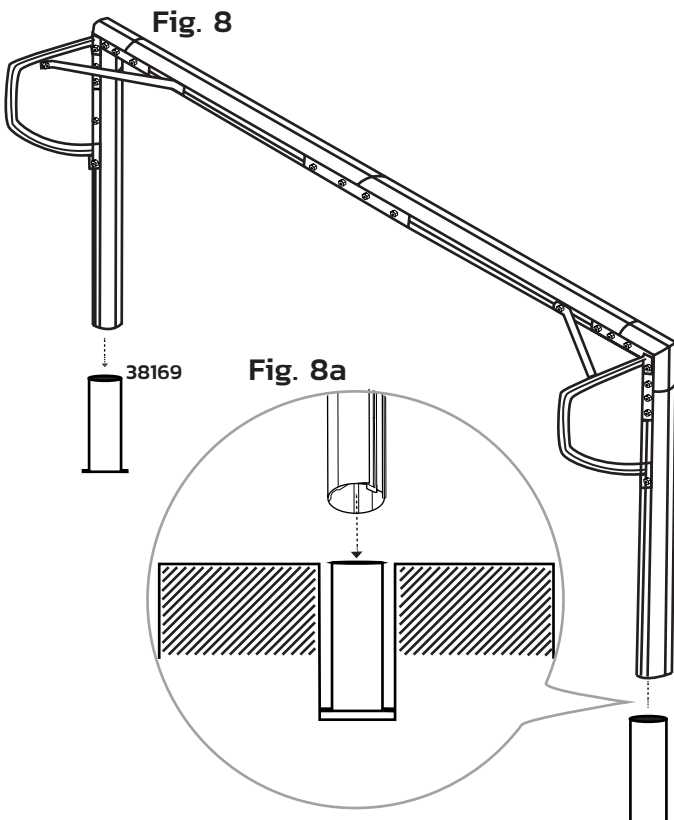


Fig. 8a

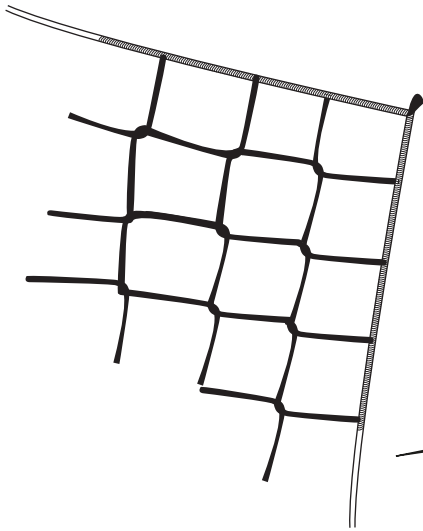
Step 8 - Ground Sockets (Fig. 8)

Slot the fully assembled goal into the pre-installed Ground Sockets (38169) as per Fig. 8 and Fig. 8a.

PLEASE NOTE!

For complete ground socket installation please see the instructions on page 8.

Fig. 9a



Step 9 - Net (Fig. 9)

Place the net over the Goal, noting that the red tabs denote the top corners of the net as per Fig. 9a.

Attach the net to the frame using

Push and Twist Clips (38174) as per Fig. 9b.

Fix net in place over Brackets using Net Clips (38179) as per Fig.9c.

Fig. 9b

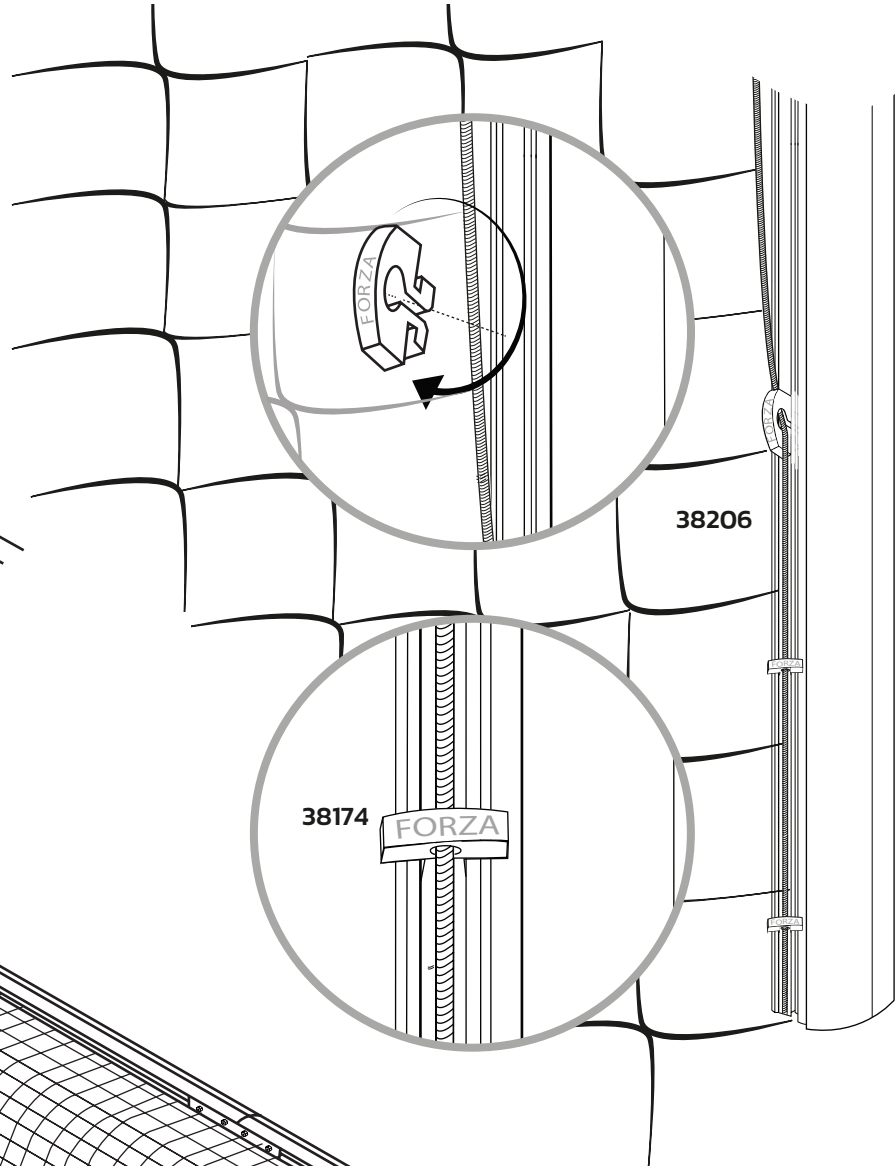


Fig. 9c

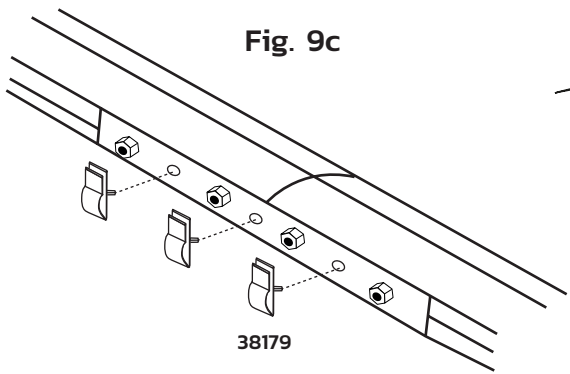
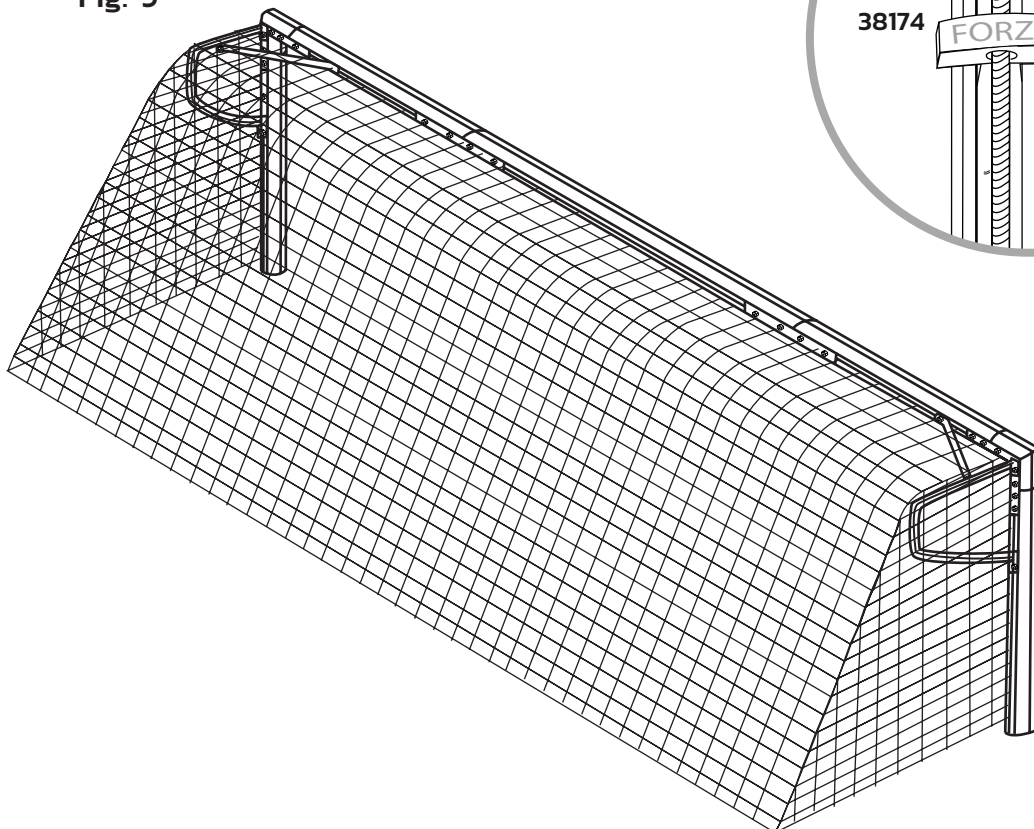
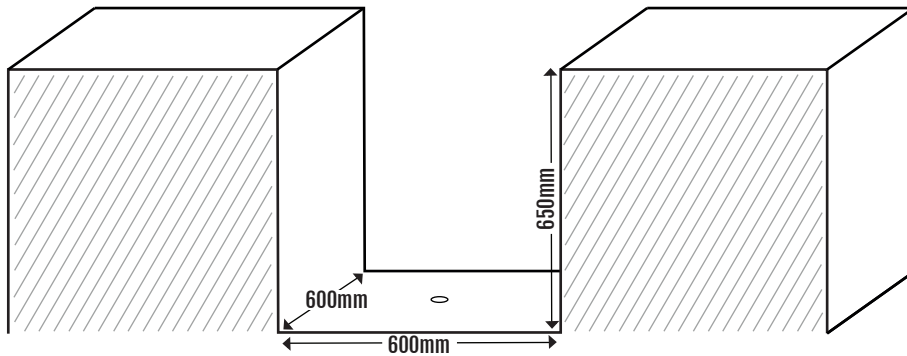


Fig. 9



Ground Socket Installation



STEP 1.

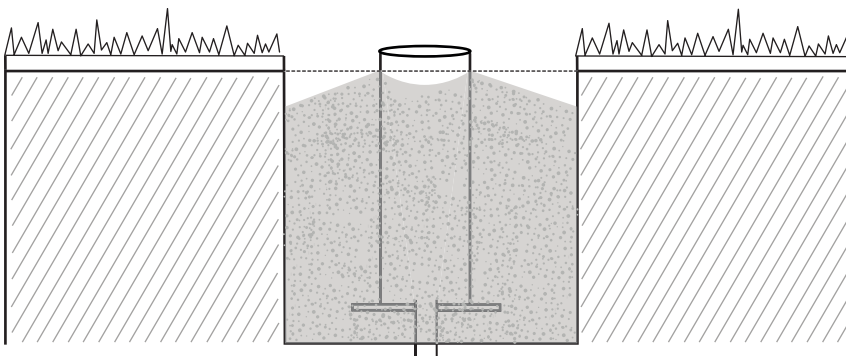
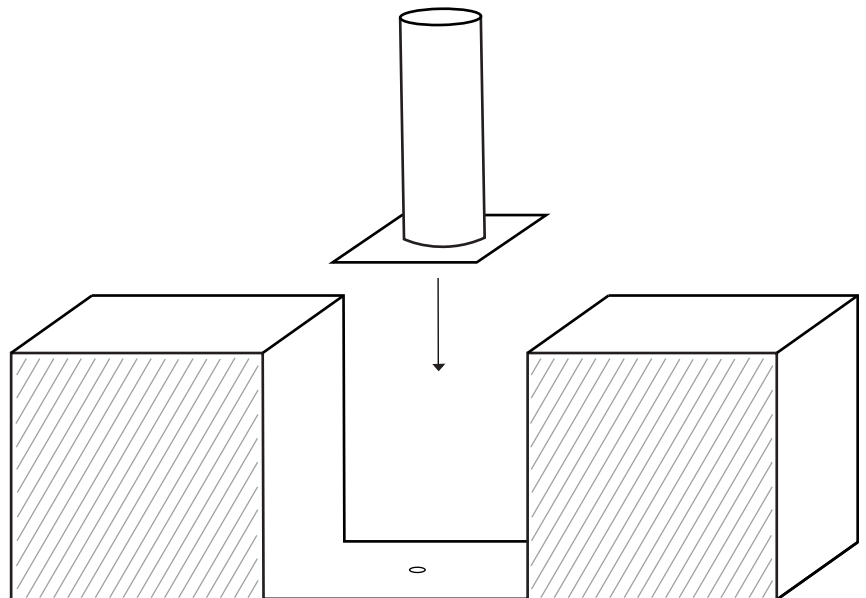
Establish the position of each ground socket. To do this we recommend assembling the goal frame first and placing this into position where the goal will be used.

We recommend marking the 2 socket positions with spray paint where the left/right goal uprights meet the ground.

STEP 2.

For normal soil conditions dig holes 650mm deep x 600mm square.

If the soil is weak/sandy then the hole size will need to be bigger. Please consult an appropriate grounds contractor for expert advice as we cannot provide this information.



STEP 3.

Place the socket correctly into position in the centre of the hole ensuring there is a drainage hole at the base of the socket.

If the soil is weak/sandy then you may need to place rubble/stone at the base of the hole to prevent the sockets sinking over time.

Pour concrete into the hole and allow to set. Please ensure that you leave a gap of 50mm at the top of the concrete block to cover with top soil after the concrete has set.

