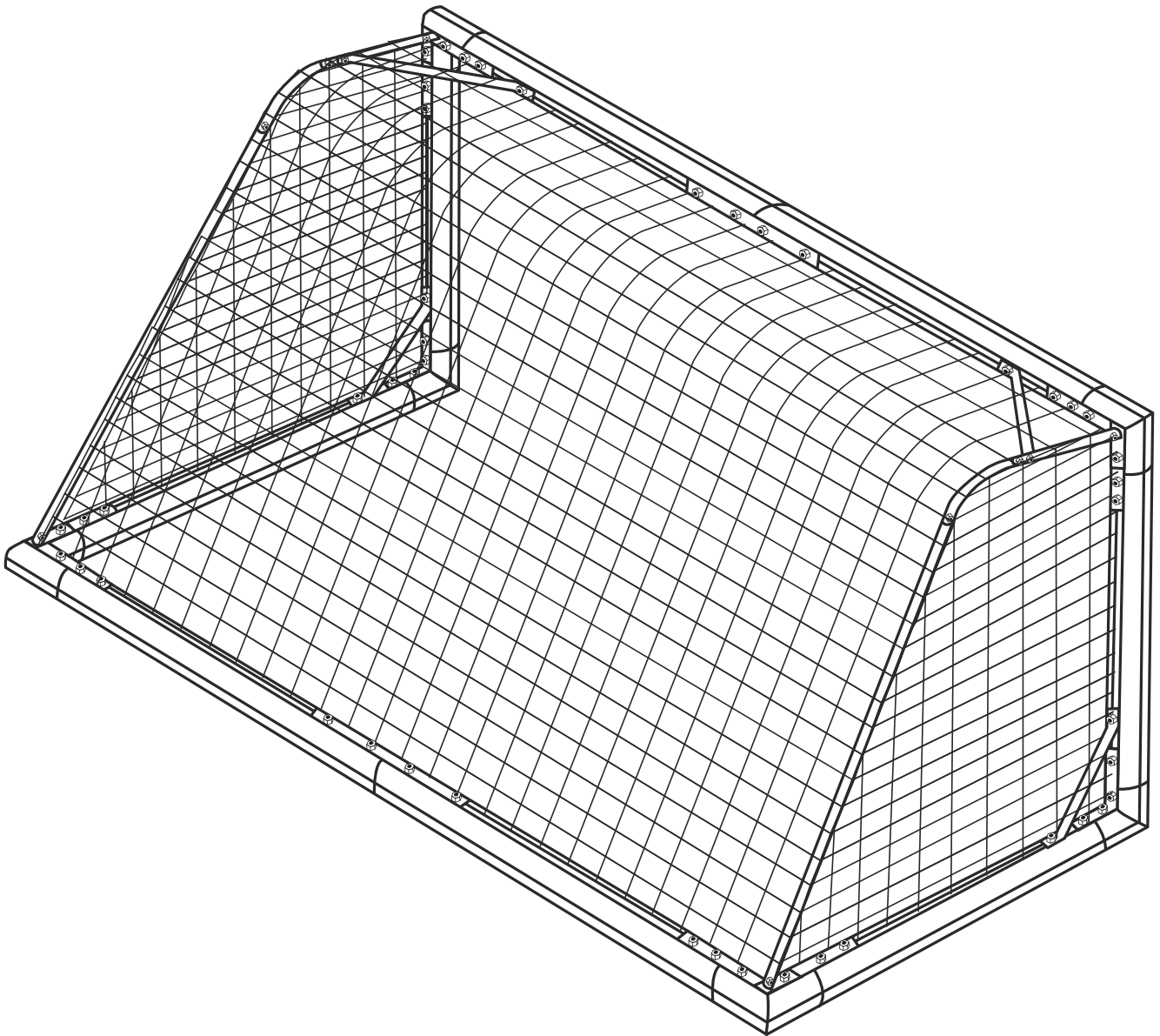


FORZA

ALU110

12x6 FREESTANDING GOAL



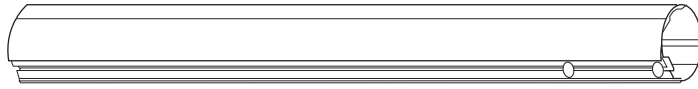
NET WORLD SPORTS»

    @NetWorldSports

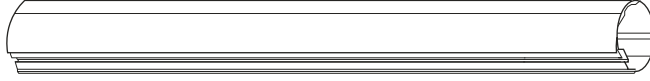
www.networldsports.co.uk // +44 (0) 1691 683 807 // cs@networldsports.co.uk

www.networldsports.com // 1-866-861-9095 // cs@networldsports.com

PARTS LIST



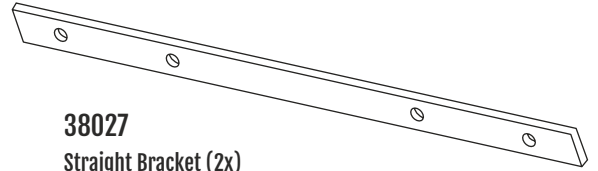
37906
Crossbar/Backbar (4x)



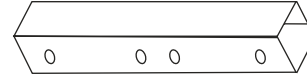
37912
Sidebar/Upright (4x)



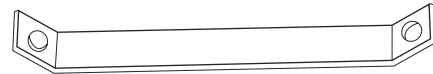
38005
Crossbrace (2x)



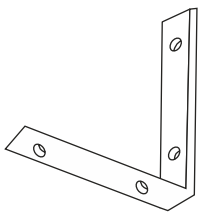
38027
Straight Bracket (2x)



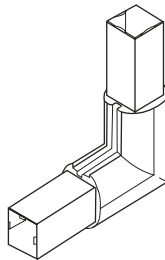
37934
Crossbar Connector Front & Back (2x)



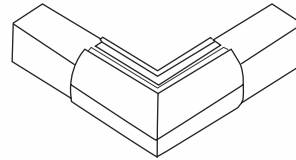
38044
Upright Support (2x)



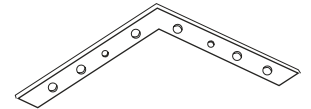
38038
L Bracket (2x)



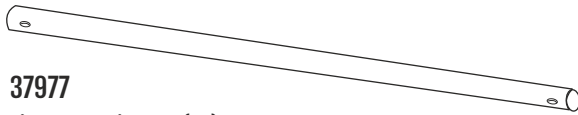
38022
Upright Corner Joint (2x)



38016
Corner Joint (4x)



38033
Corner Bracket (4x)



37977
Side Frame Diagonal (2x)



38127
Top Sideframe Fixing (2x)



38174
Push & Twist Net Clips



38133
Bottom Sideframe Fixing (2x)



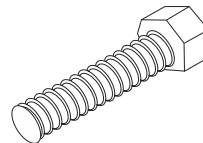
39137
Bracket Push & Twist Net Clips



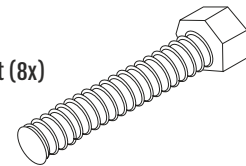
37955
Side Frame Top (2x)



37994
Side Frame Connector (2x)



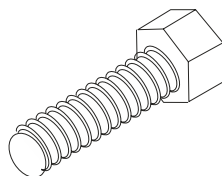
38066
M8x50 Bolt (8x)



38060
M8x55 Bolt (2x)



38099
M8 Spring Washers (8x)



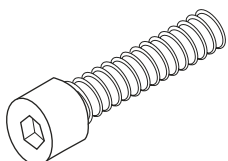
38055
M10x25 Bolt (4x)



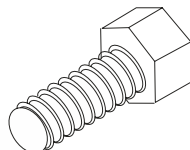
38088
M10 Washer (46x)



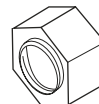
38094
M8 Washer (20x)



38071
M8x20 Hex Bolt (8x)



38049
M10x20 Bolt (42x)

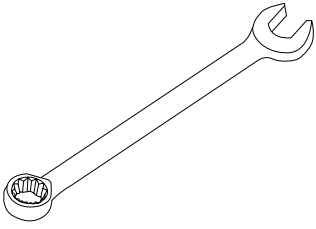


38077
M10 Lock Nut (46x)

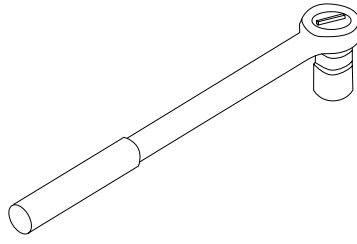


38082
M8 Lock Nut (10x)

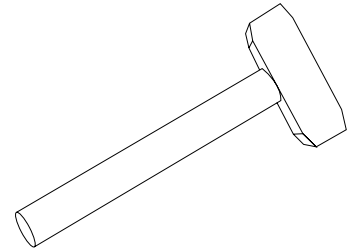
HANDY EXTRAS



Wrench



Ratchet with Sockets



Rubber Mallet



Allen Key



Step Ladder

ADD-ONS

Weights

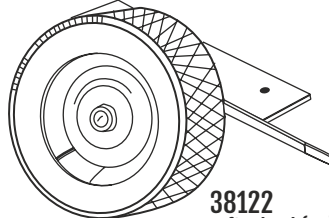


38111
Water Tank 642mm

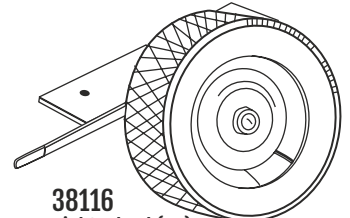


38105
Water Tank 911mm

Wheels



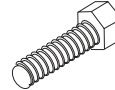
38122
Left Wheel (2x)



38116
Right Wheel (2x)



38077
M10 Lock Nut (8x)



38055
M10x25 Bolt (8x)



38088
M10 Washer (8x)

*IMPORTANT

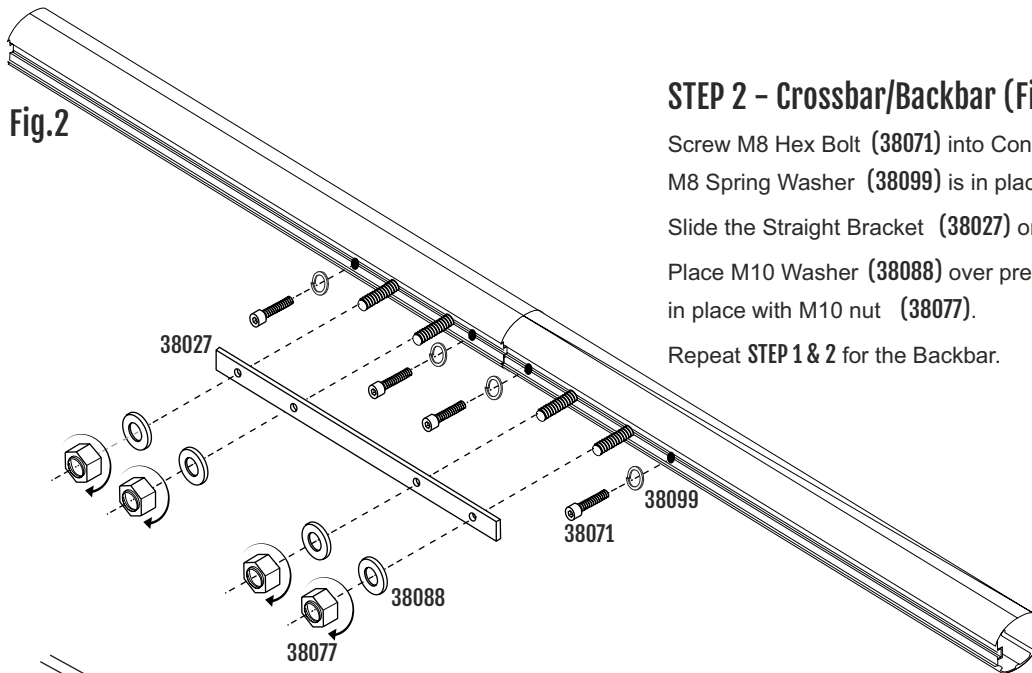
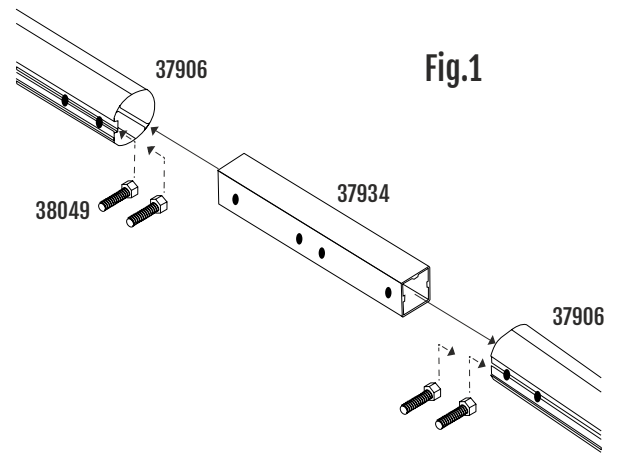
1. Read through the instruction thoroughly before assembling the goal.
2. Check parts for any defects prior to the assembly of the goal.
3. Ensure due diligence is carried out and a risk assessment followed prior to the assembly of the goal.
4. Safety/warning stickers must be visible at all times.
5. Goal must be anchored at all times.
6. Never climb on the net or the posts.
7. Ensure the goal is checked for any signs of damage prior to use.
8. Use extreme caution when moving the goal.
9. Remove nets when the goals are not in use.

STEP 1 - Crossbar/Backbar (Fig. 1)

Layout the Crossbar (37906) and Connector (37934).

Slide 2x M10x20 Bolts (38049) into each Crossbar Section (37906).

Slot the Connector (37934) into the Crossbar (37906) ensuring that the holes align.



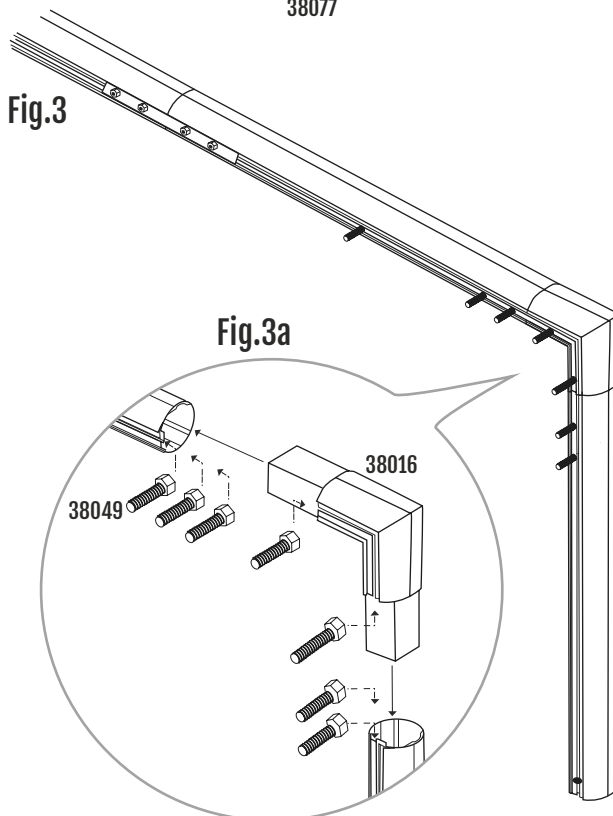
STEP 2 - Crossbar/Backbar (Fig. 2)

Screw M8 Hex Bolt (38071) into Connector (37934) ensuring the M8 Spring Washer (38099) is in place as per diagram.

Slide the Straight Bracket (38027) onto the M10 Bolt (38099).

Place M10 Washer (38088) over pre-inserted bolts and secure in place with M10 nut (38077).

Repeat STEP 1 & 2 for the Backbar.



WEIGHTS - PLEASE NOTE!

If weights have been bought please slot into place as per diagram Fig.13

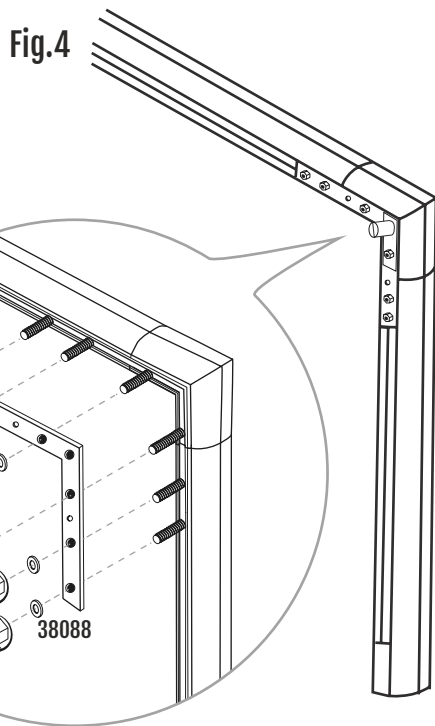
*see 'add-on's' for instructions.

STEP 3 - Attach Crossbar to Uprights (Fig. 3)

Slide 4x M10x20 Bolts (38049) into the Crossbar.

Slide 1x M10x20 Bolt into Corner (38016) and 2x M10x20 Bolt into upright as per Fig.3a.

Slide the Corner Joint into the Crossbar and Upright.

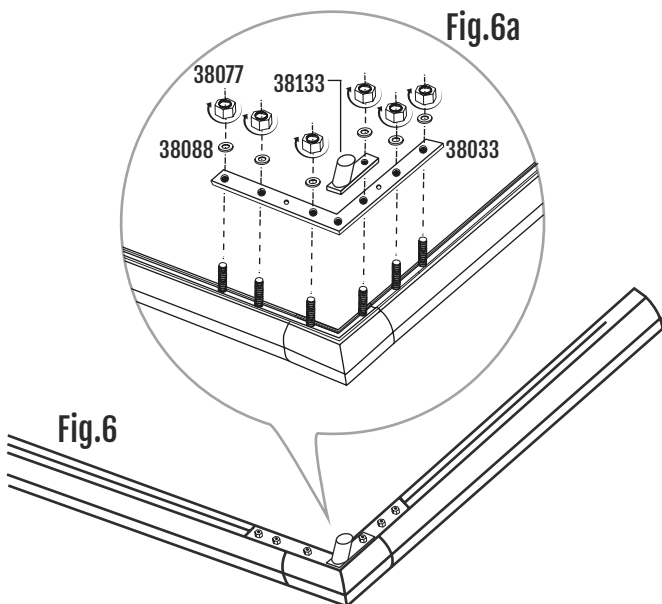
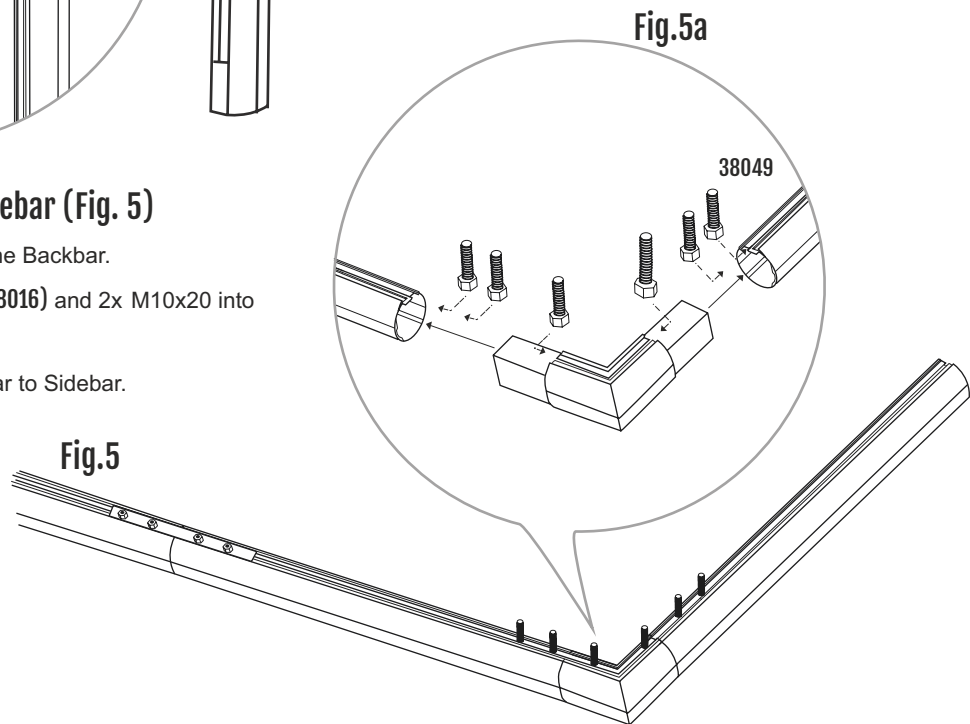


STEP 4 - Fixing Crossbar to Uprights (Fig. 4)

Place Corner Bracket (38033) over the prepositioned bolts.
 Place M10 Washers (38088) over bolts ensuring Side Frame Fixing (38127) is in place over Bolt (38049) as per Fig. 4a.
 Secure in place with M10 Nuts (38077).
 Repeat for both sides.

STEP 5 - Attach Backbar to Sidebar (Fig. 5)

Slide 3x M10x20 Bolts (38049) into the Backbar.
 Slide 1x M10x20 Bolt into Corner (38016) and 2x M10x20 into Upright as per Fig.5a.
 Slide the Corner Joint into the Backbar to Sidebar.



STEP 6 - Fixing Backbar to Sidebar (Fig. 6)

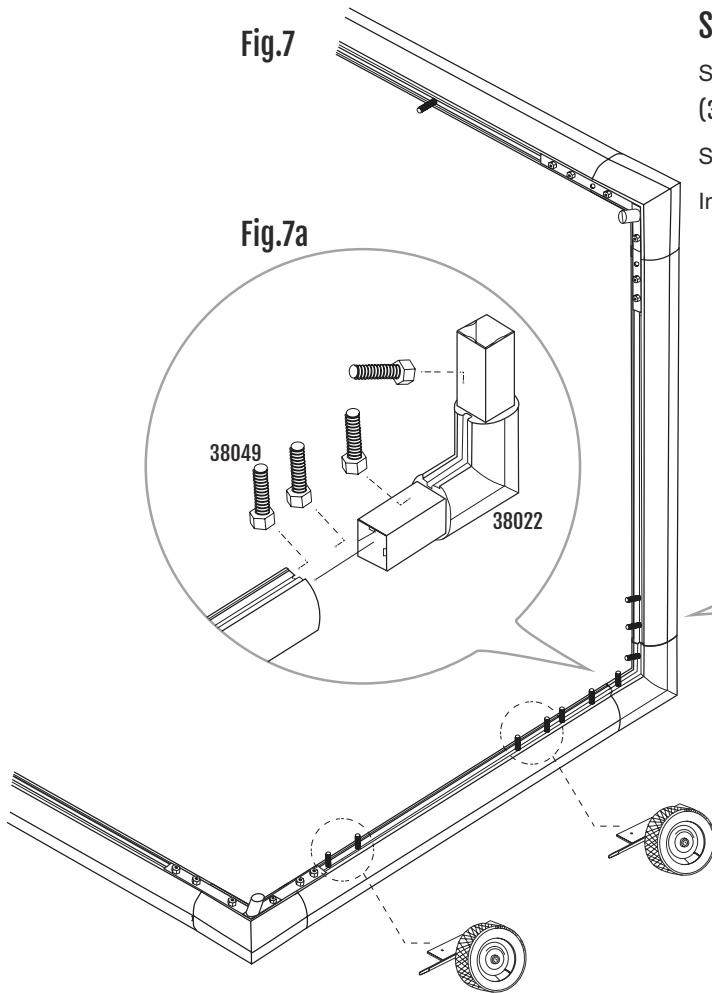
Place Corner Bracket (38033) over the prepositioned bolts.
 Place M10 Washers (38088) over bolts ensuring Side Frame Fixing (38133) is in place over Bolt (38049) as per fig. 6a.
 Secure in place with M10 Nuts (38077).
 Repeat for both sides.

WEIGHTS - PLEASE NOTE!

If weights have been bought please slot into place as per diagram Fig.13.

*see 'add-on's' for instructions.

Fig.7



STEP 7 - Connecting uprights to base (Fig. 7)

Slide 2x M10 Bolts (38049) into Sidebar and 2x M10 Bolts (38049) into the Upright.

Slide 2x M10 Bolts (38049) into Upright Corner Joint (38022).

Insert the Corner Joint into both the Upright and Sidebar.

Fig.7a

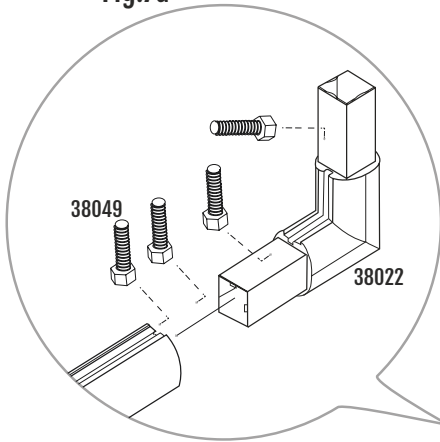
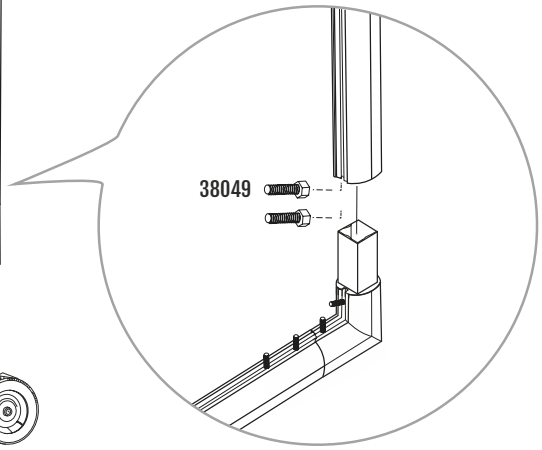


Fig.7b



WHEELS - PLEASE NOTE!

If wheels have been purchased as an added extra you will need to slide 2 extra bolts per wheel into the channel.
*see 'add-on's' for instructions on how to attach.

STEP 8 - Fixing uprights to base (Fig. 8)

Place L Bracket (38038) over the prepositioned Bolts.

Put M10 Washer (38088) over Bolts and secure in place with M10 Nut (38077).

Slot the Upright Support (38044) over the Bolts.

Secure in place with M10 Washer (38088) and M10 Nuts (38077).

Fig.8

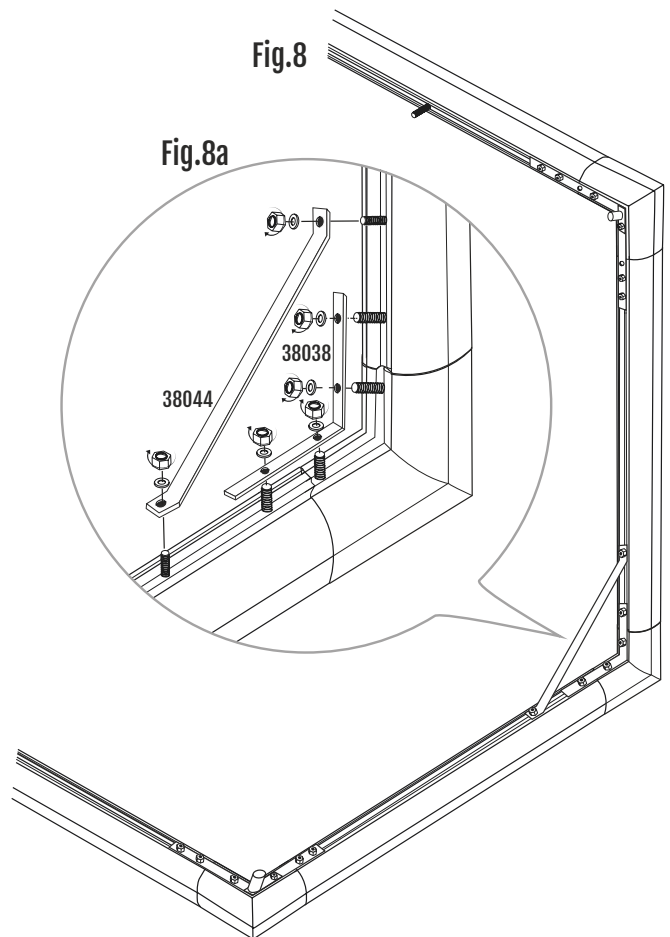


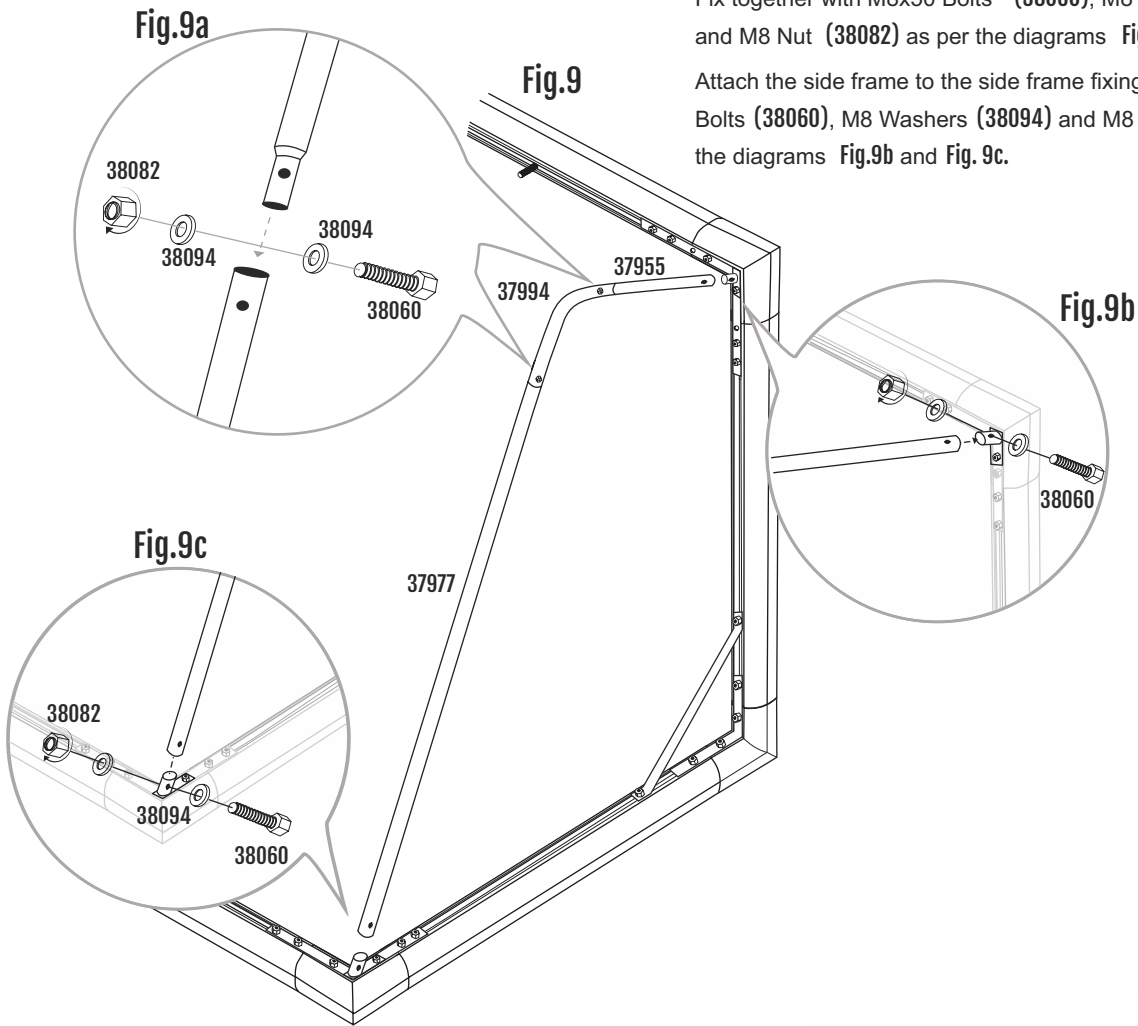
Fig.8a

STEP 9 - Side Frames (Fig. 9)

Layout Side Frame parts, Top (37955) Connector (37994) and Bottom (37977).

Fix together with M8x50 Bolts (38060), M8 Washers (38094) and M8 Nut (38082) as per the diagrams Fig.9a.

Attach the side frame to the side frame fixings using M8x50 Bolts (38060), M8 Washers (38094) and M8 Nut (38082) as per the diagrams Fig.9b and Fig. 9c.



STEP 10 - Cross brace (Fig. 10)

Fix the Cross Brace (38005) to the side frame with M8x55 Bolts (38060), M8 Washers (38094) and M8 Nut (38082).

Place Cross Brace (38005) over the prepositioned Bolt in the Crossbar securing in place with an M10 Washer (38088) and M10 Bolt (38077).

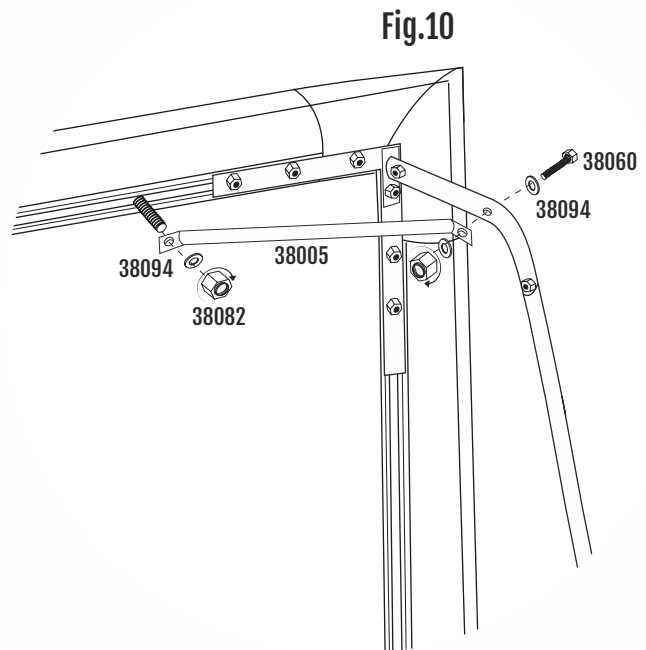
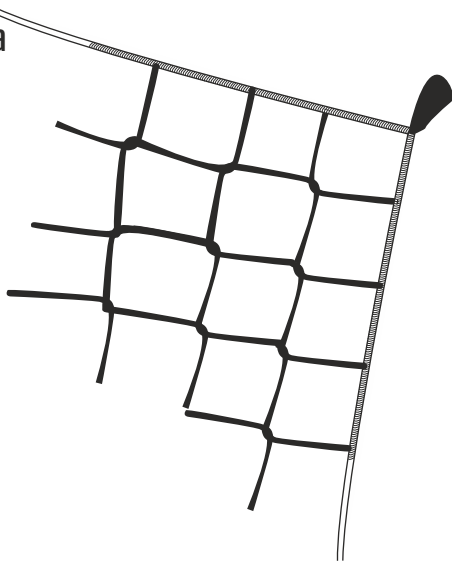


Fig.11a



STEP 11 - Net

Place the net over the frame, noting that the red tabs denote the top corners of the net as per Fig. 11a.

Attach the net to the frame using Push and Twist Clips (38174) as per Fig. 11b.

Fix net in place over brackets using Twist Clips (39137) as per Fig. 11c.

Fig.11c

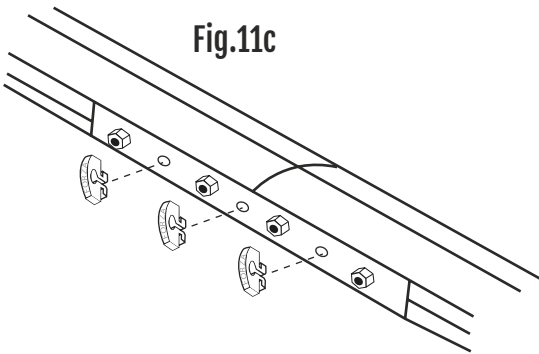


Fig.11b

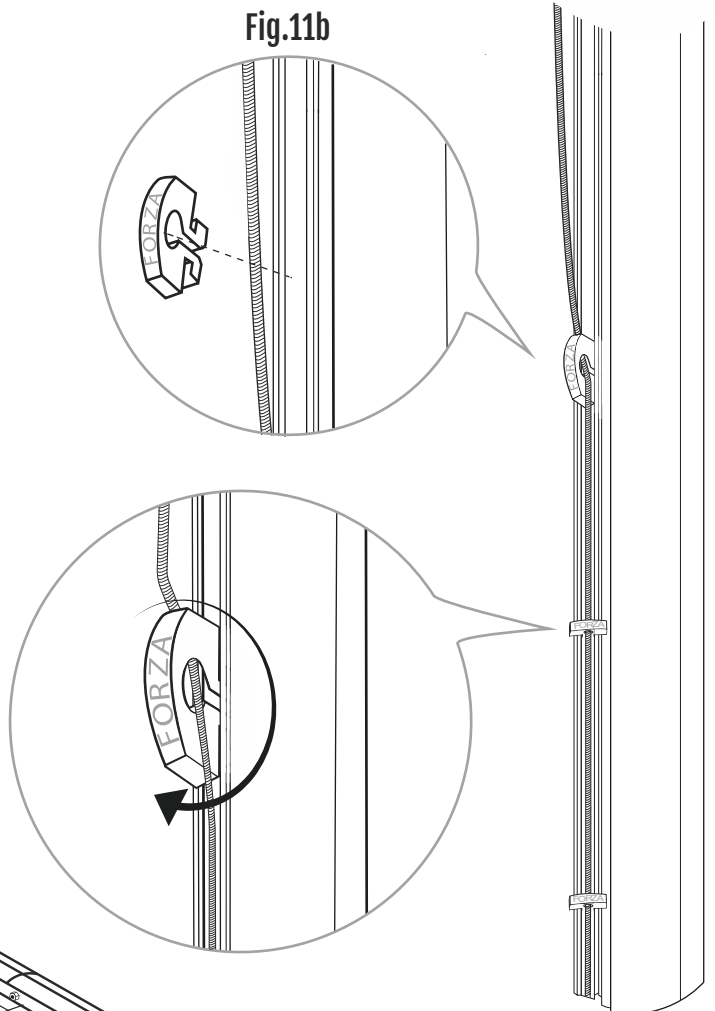
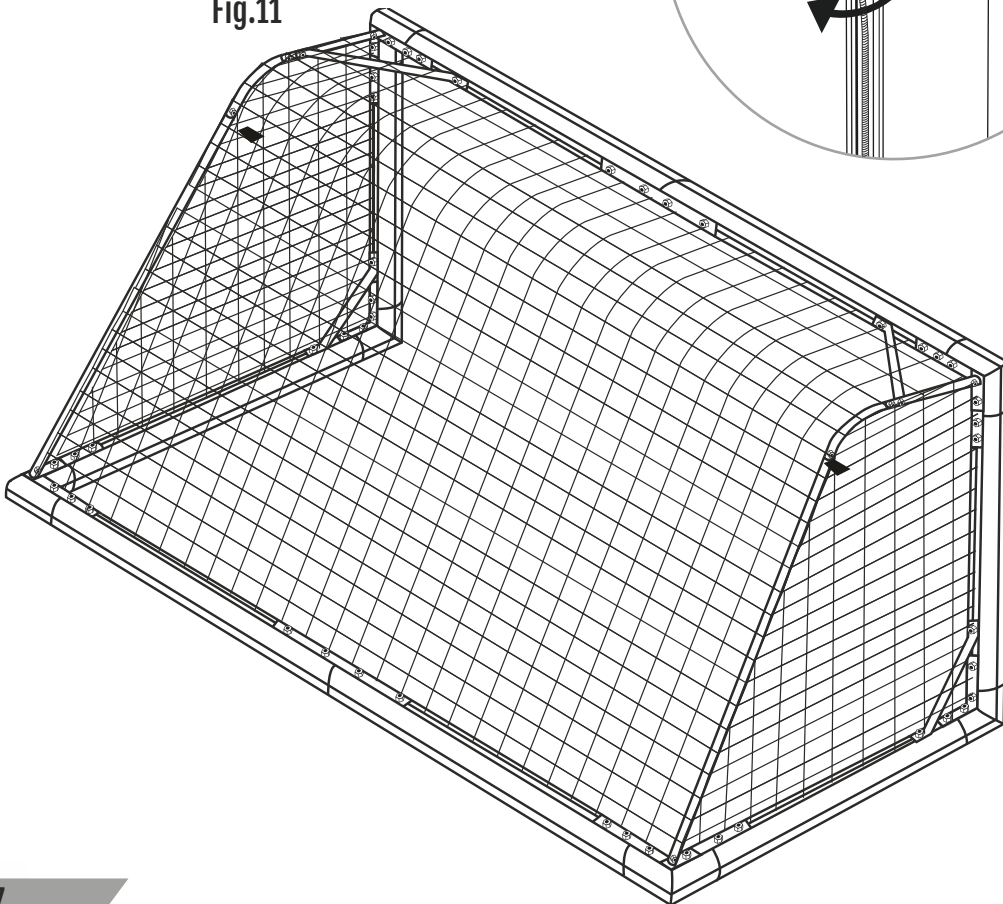


Fig.11



ADD-ONS

WHEELS

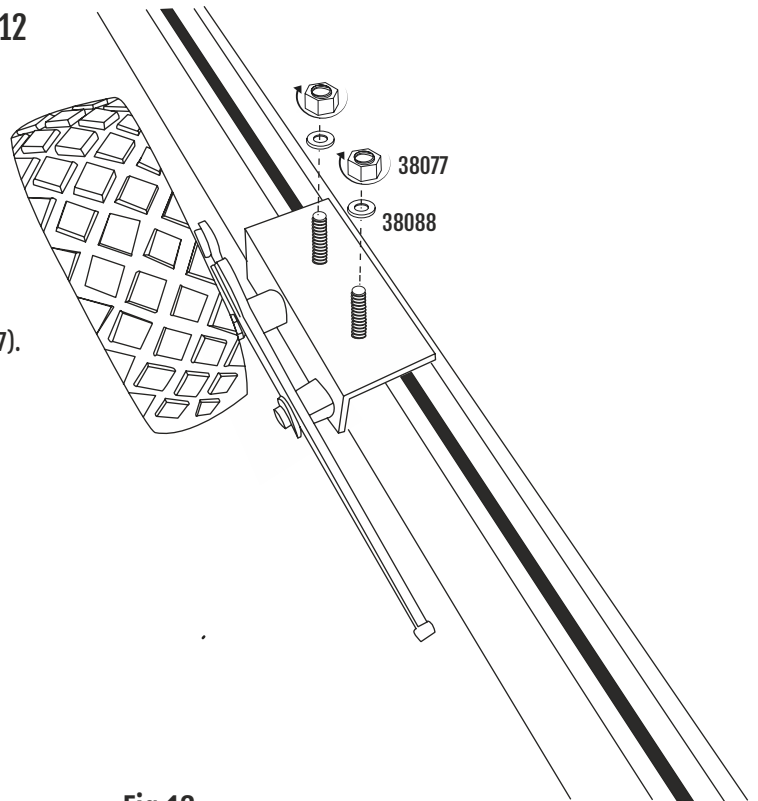
Ensure M10x25 Bolts (38055) have been slotted into place whilst constructing the goal.

Place the Wheel Bracket over the prepositioned bolts.

Fix in place with 2x M10 Washer (38088) and 2x M10 Nuts (38077).

Ensure Wheels are fixed on the correct side of the goal. When the Wheels are not in use the handles must be facing away from the pitch.

Fig.12



WEIGHTS

Fill Weights with sand or water to the desired weight.

Slide weights into the Sidebar or Backbar as per diagram in Fig. 13a.

Fig.13

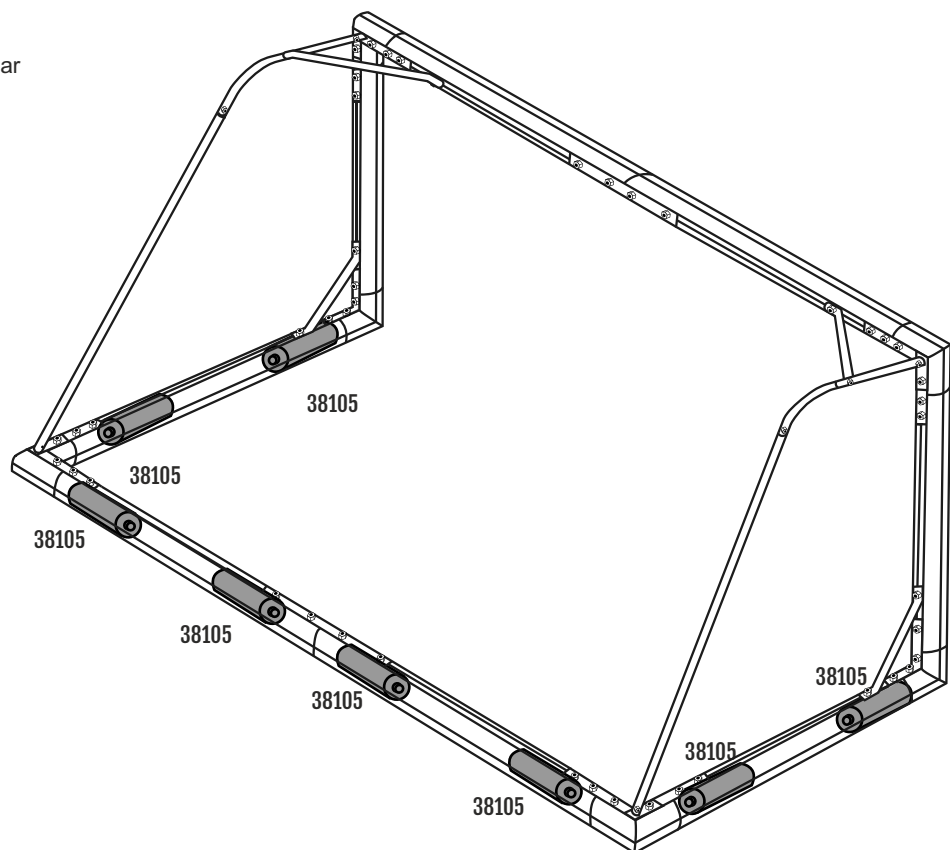


Fig.13a

