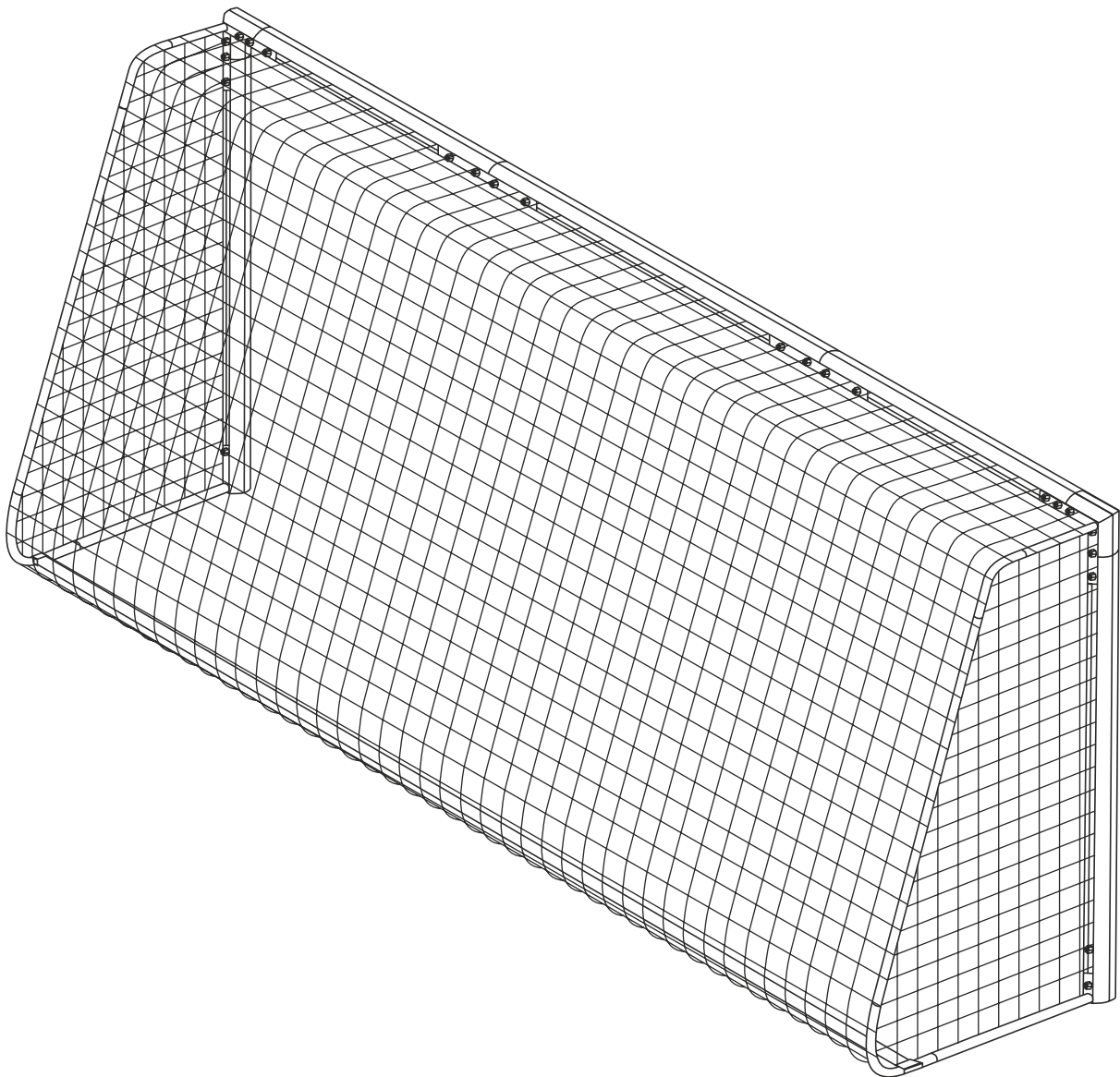


# FORZA

## ALU60

### 18.5x6.5 FOOTBALL GOAL



**NET WORLD SPORTS»**

    @NetWorldSports

[www.networldsports.co.uk](http://www.networldsports.co.uk) // +44 (0) 1691 683 807 // [cs@networldsports.co.uk](mailto:cs@networldsports.co.uk)

[www.networldsports.com](http://www.networldsports.com) // 1-866-861-9095 // [cs@networldsports.com](mailto:cs@networldsports.com)

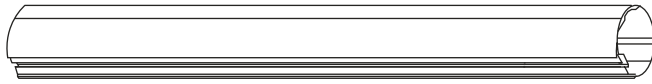
# PARTS LIST



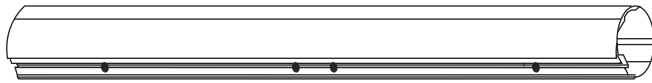
**38210**  
Crossbar (2x)



**38215**  
Crossbar Extender (1x)



**38219**  
Upright (2x)



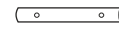
**38260**  
Crossbar Connector (2x)



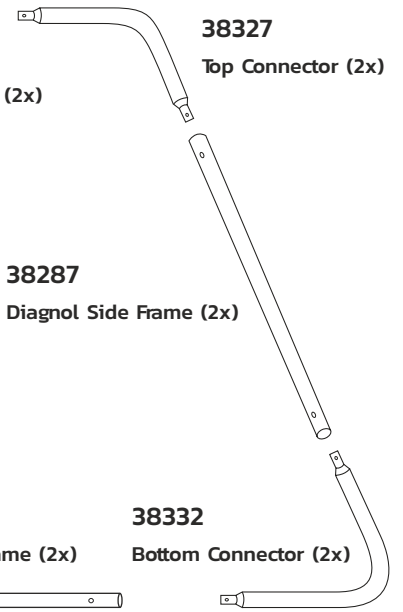
**38381**  
F/F Backbar (2x)



**38386**  
M/M Backbar (1x)



**38264**  
Top Side Frame (2x)

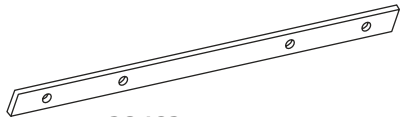


**38327**  
Top Connector (2x)

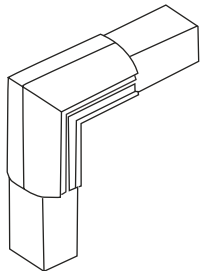
**38287**  
Diagonal Side Frame (2x)

**38291**  
Bottom Side Frame (2x)

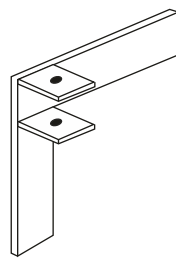
**38332**  
Bottom Connector (2x)



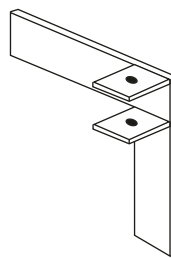
**38462**  
Straight Bracket (2x)



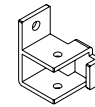
**38444**  
Corner Joint (2x)



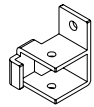
**38453**  
Corner Bracket Left (1x)



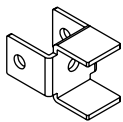
**38448**  
Corner Bracket Right (1x)



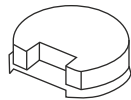
**38457**  
Bottom bracket L/H (x1)



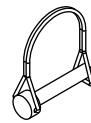
**39163**  
Bottom bracket R/H (x1)



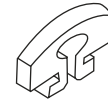
**38466**  
Backbar Joint (2x)



**38471**  
End Cap (2x)



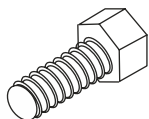
**38475**  
Securing Pin (2x)



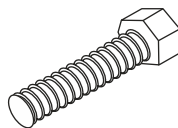
**38174**  
Push & Twist Clip (48x)



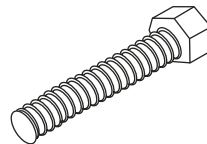
**38179**  
Net Clip (10x)



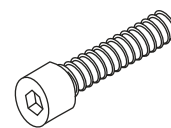
**38049**  
M10x20 (22x)



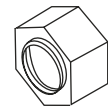
**38064**  
M8x45 (10x)



**38060**  
M8x55 (4x)



**38071**  
M8x20 Hex (8x)



**38077**  
M10 Lock Nut (22x)



**38082**  
M8 Lock Nut (14x)



**38088**  
M10 Washer (18x)



**38094**  
M8 Washer (28x)

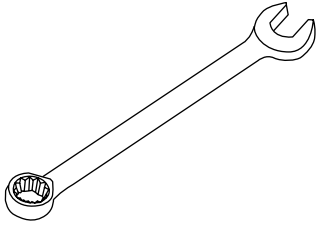


**38099**  
M8 Spring Washer (8x)

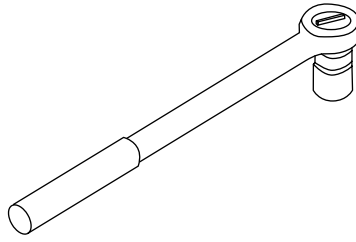


**Net (1x)**

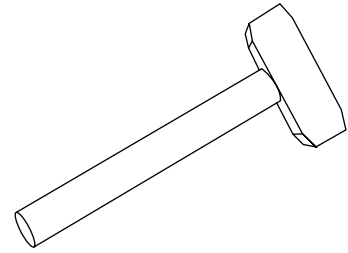
# HANDY EXTRAS



**Wrench**



**Ratchet with Sockets**



**Rubber Mallet**



**Allen Key**



**Step Ladder**

## \*IMPORTANT

1. Read through the instruction thoroughly before assembling the goal.
2. Check parts for any defects prior to the assembly of the goal.
3. Ensure due diligence is carried out and a risk assessment followed prior to the assembly of the goal.
4. Safety/warning stickers must be visible at all times.
5. Goal must be anchored at all times.
6. Never climb on the net or the posts.
7. Ensure the goal is checked for any signs of damage prior to use.
8. Use extreme caution when moving the goal.
9. Remove nets when the goals are not in use.

### STEP 1 - Crossbar (Fig. 1)

Lay out one Crossbar piece (38210), the Crossbar Extender (38215) and Connector (38260).

Slide 2x M10x20 Bolts (38049) into both the Crossbar and Extender sections, ensuring they are between the holes as per the diagram.

Slot the Connector (38260) into the Crossbar ensuring that the holes align.

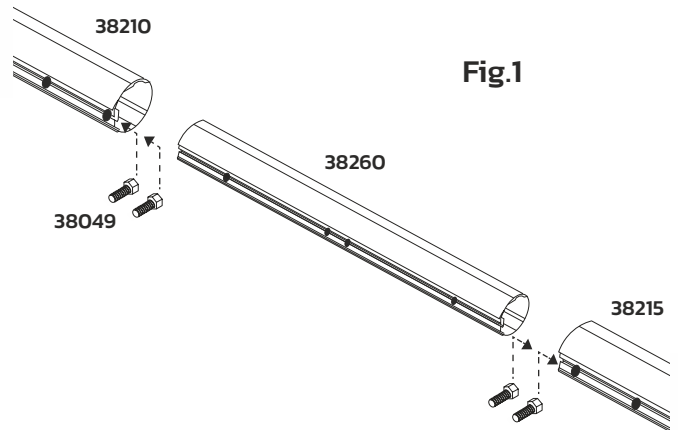


Fig.1

### STEP 2 - Crossbar (Fig. 2)

Screw 4x M8 Hex Bolts (38071) into Connector (38260) ensuring the 4x M8 Spring Washers (38099) are in place as per diagram.

Slide the Straight Bracket (38462) onto the M10 Bolts (38049).

Place M10 Washers (38088) over pre-inserted bolts and secure in place with M10 Nuts (38077).

Repeat Steps 1 & 2 on the other side of the Crossbar Extender.

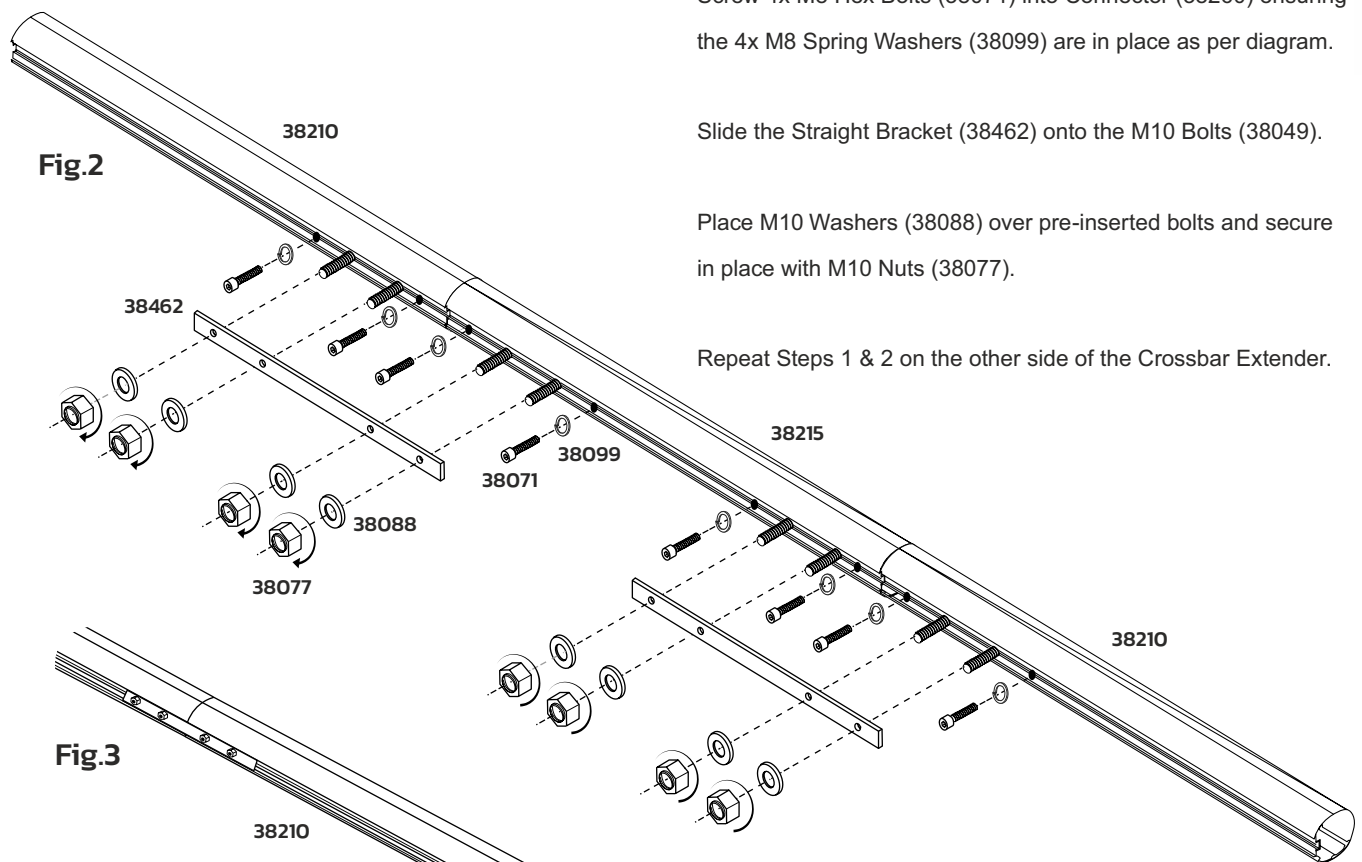


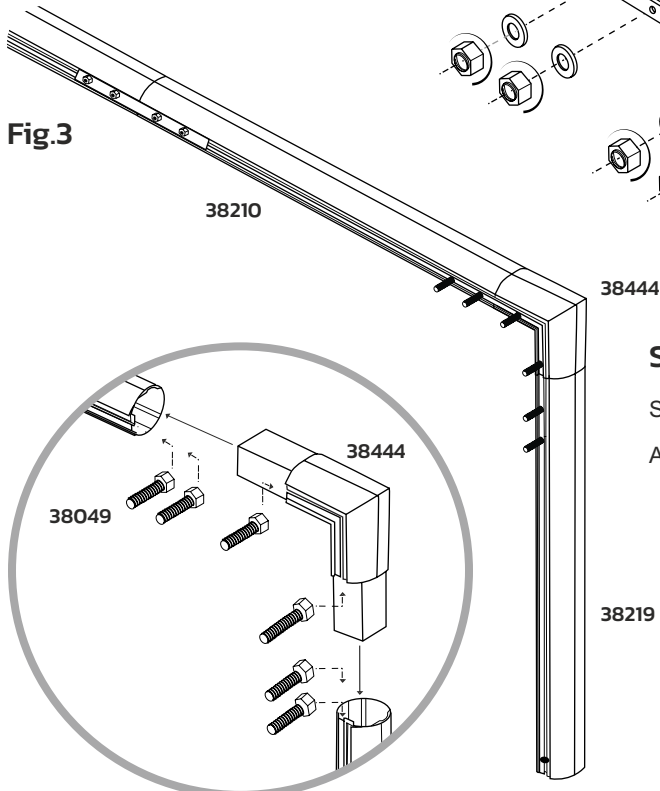
Fig.2

Fig.3

### STEP 3 - Attach Crossbar to Uprights (Fig. 3)

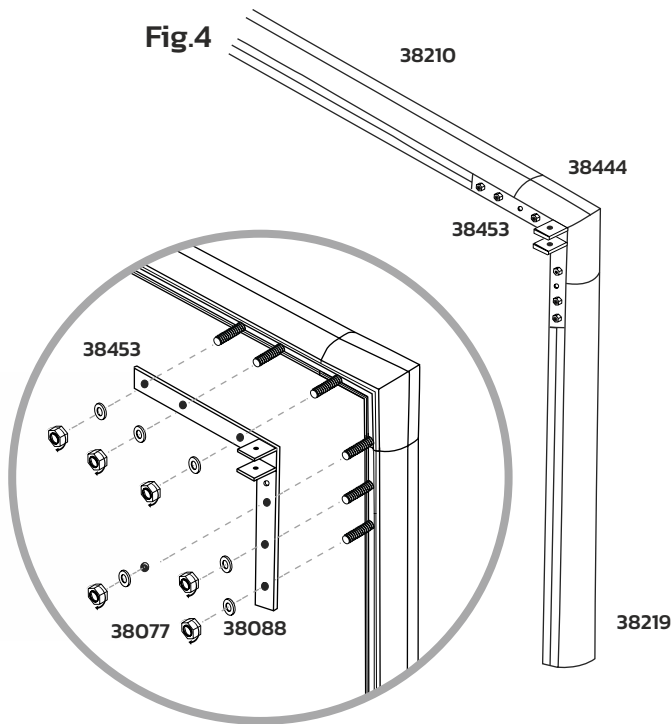
Slide 6x M10x20 Bolts (38049) into both Corner Joints (38444).

Attach the Corner Joints to the Crossbar and Uprights (38219).



38444

38219



#### STEP 4 - Fixing Crossbar to Uprights (Fig. 4)

Place the Left Corner Bracket (38453) onto the Corner Joint (38444).

Ensure the M10x20 Bolts (38049) are positioned correctly and slot through the holes of the Corner Bracket.

Place M10 Washers (38088) over bolts and secure Corner Bracket in place with M10 Nuts (38077).

Repeat for Right Corner Bracket (38448).

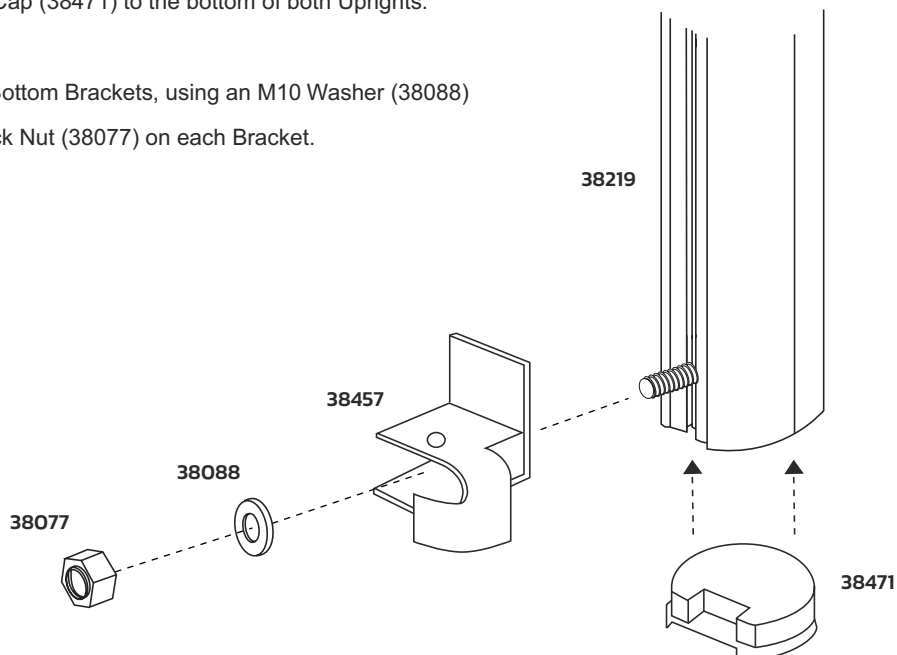
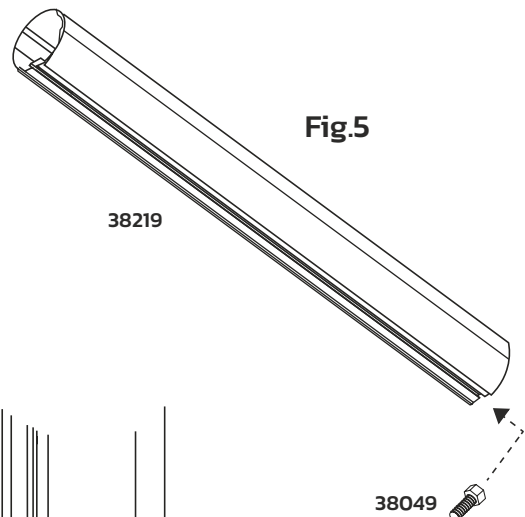
#### Step 5 – Fix Bottom Bracket to Uprights (Fig. 5)

Slide 1x M10x20 Bolt (38049) into the base of both Uprights (38219).

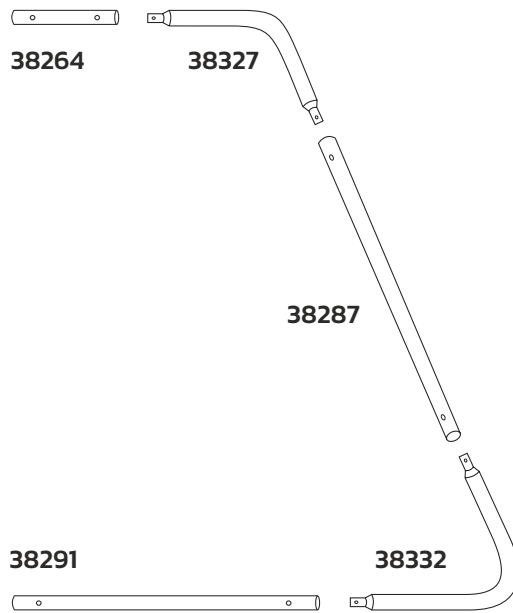
Place the Bottom Brackets (38457) onto the Uprights and ensure the M10x20 Bolts slot through the holes of the Bottom Brackets, as per diagram.

Fix the End Cap (38471) to the bottom of both Uprights.

Secure the Bottom Brackets, using an M10 Washer (38088) and M10 Lock Nut (38077) on each Bracket.



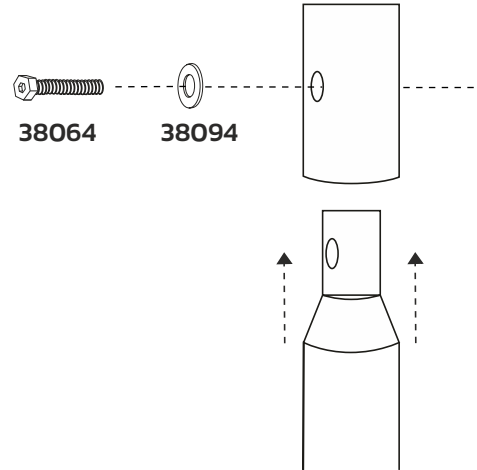
**Fig.6**



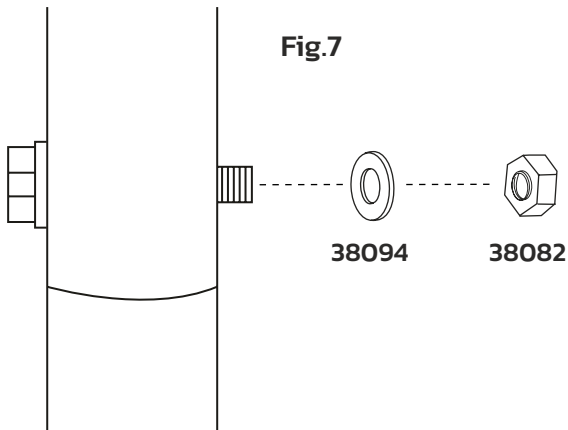
**Step 6 –Side Frames (Fig. 6)**

Lay out the parts for each Side Frame (38264, 38327, 38287, 38332 & 38291).

Slot each part together as per the diagram. Place an M8 Washer (38094) onto an M8x45 Bolt (38064) and slot through each hole on the Side Frames.



**Fig.7**



**Step 7 – Side Frames (Fig. 7)**

Note: Do not secure the bolt on the Bottom Side Frame (38291), see Step 8.

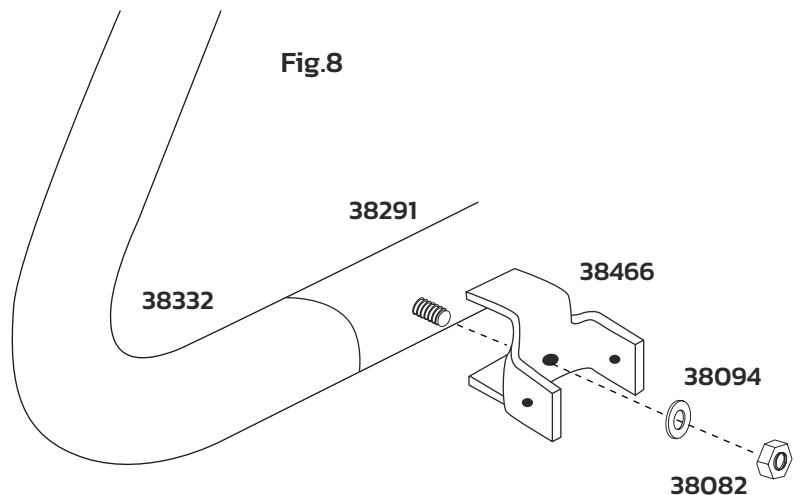
Place another M8 Washer (38094) onto the end of each M8x45 Bolt (38064) as per the diagram, and secure with an M8 Lock Nut (38082).

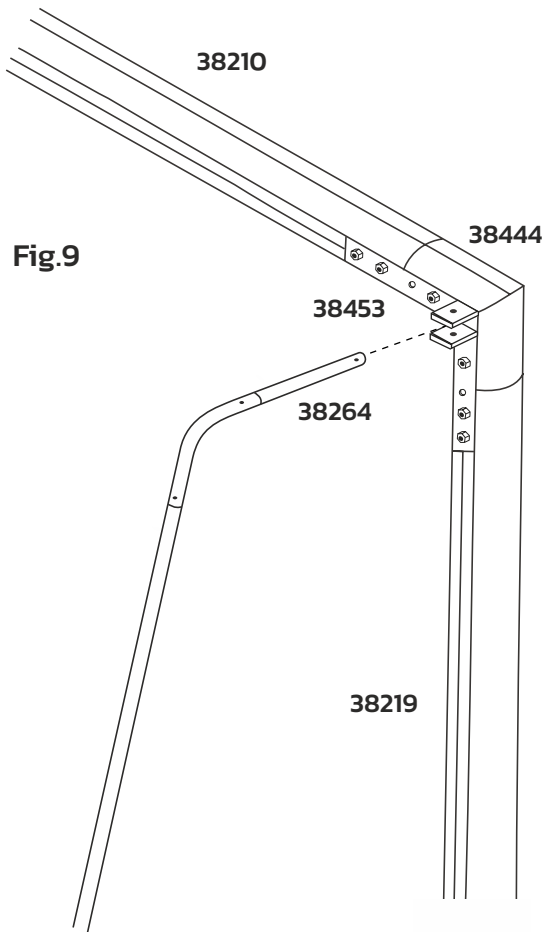
**Step 8 – Fix Backbar Joints to Side Frames (Fig. 8)**

Place the Backbar Joints (38466) over the remaining unsecured M8x45 Bolts (38064).

Secure each Backbar Joint to the Bottom Side Frame (38291) with an M8 Washer (38094) and M8 Lock Nut (38082).

**Fig.8**





**Fig.9**

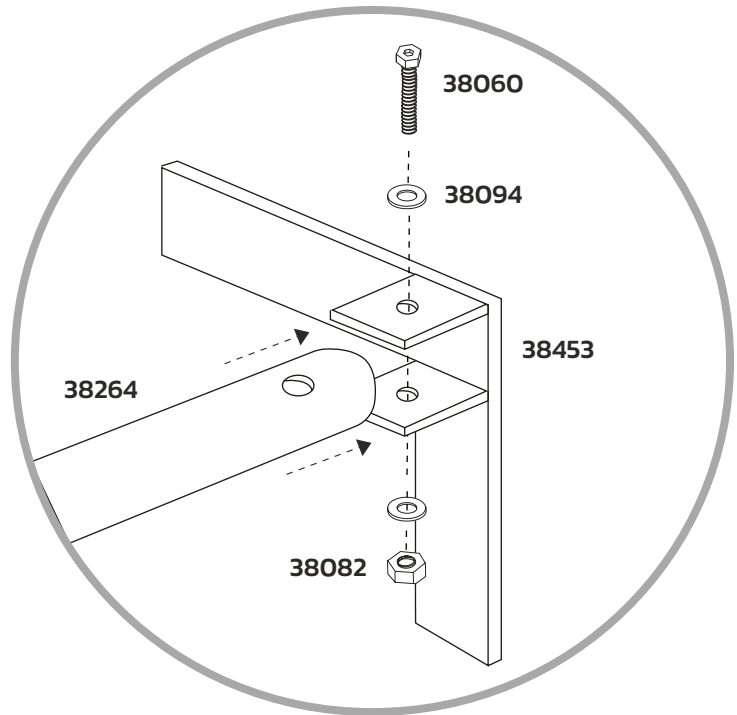
### Step 9 – Attach Side Frames to Goal Frame (Fig. 9)

Position the top of the Side Frames (38264) so that the holes line up with the Corner Brackets (38453 & 38448).

Slide an M8 Washer (38094) onto M8x55 Bolt (38060), and place through the top of the holes as per diagram.

Secure the bolt using another M8 Washer and M8 Lock Nut (38082).

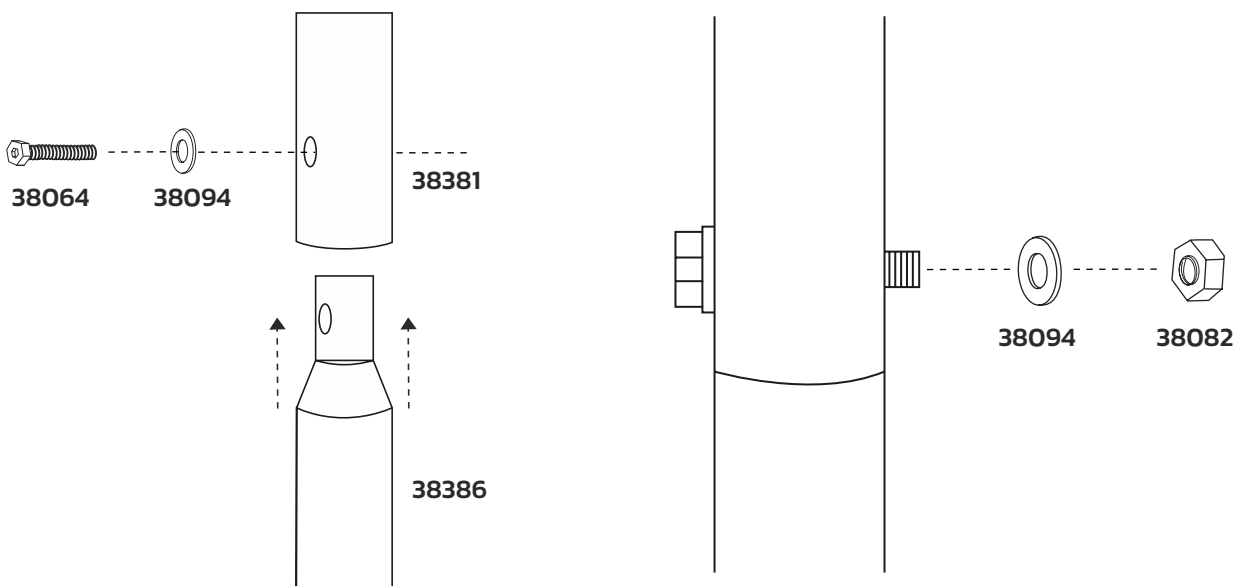
Repeat the process for Bottom Brackets (38457).



### Step 10 –Backbar (Fig. 10)

Slot Backbar pieces (38381 & 38386) together.

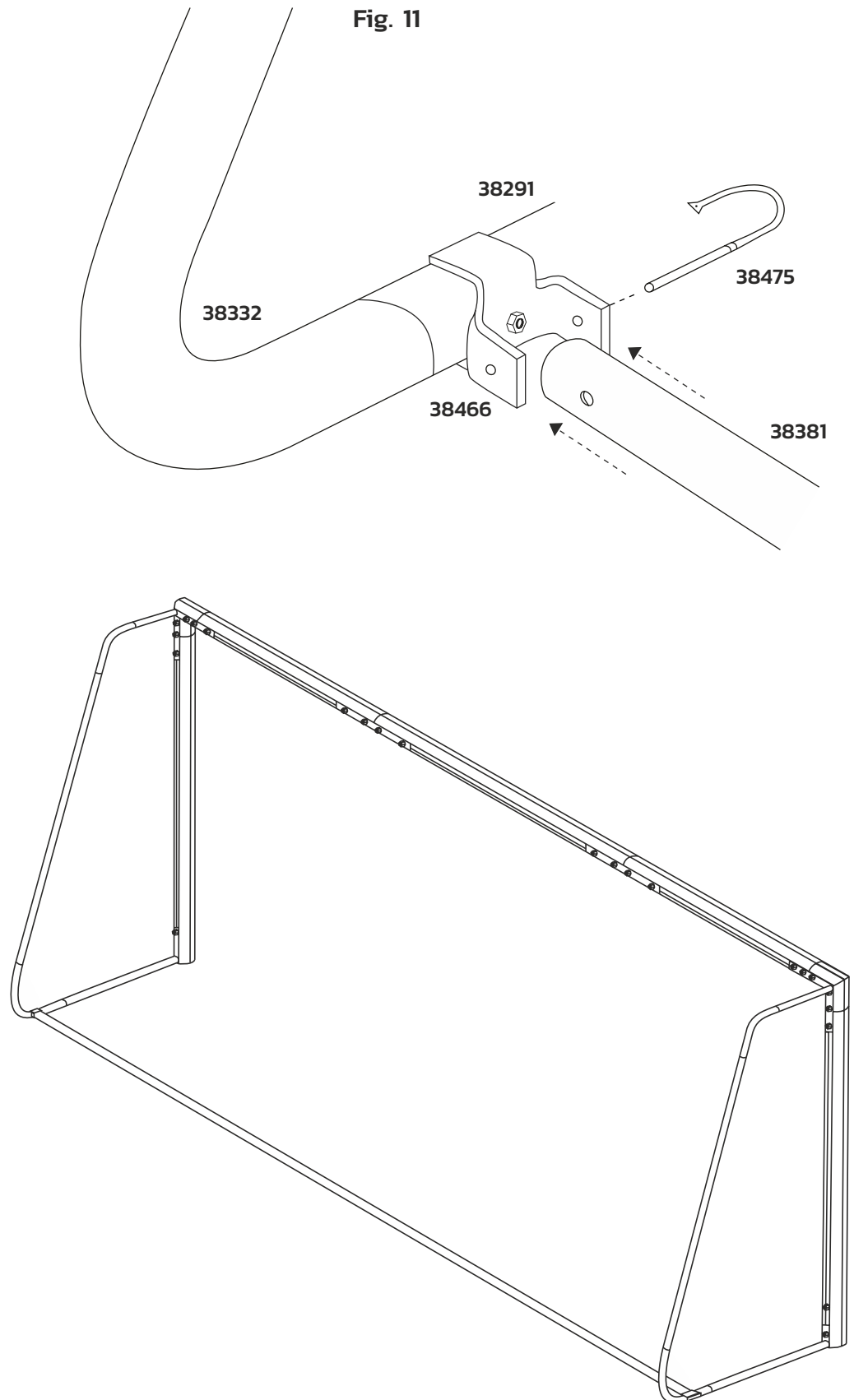
Place an M8x45 Bolt (38064) through an M8 Washer (38094) and aligned holes, before securing with an M8 Lock Nut (38082).



## Step 11 – Secure the Backbar to Side Frame (Fig. 11)

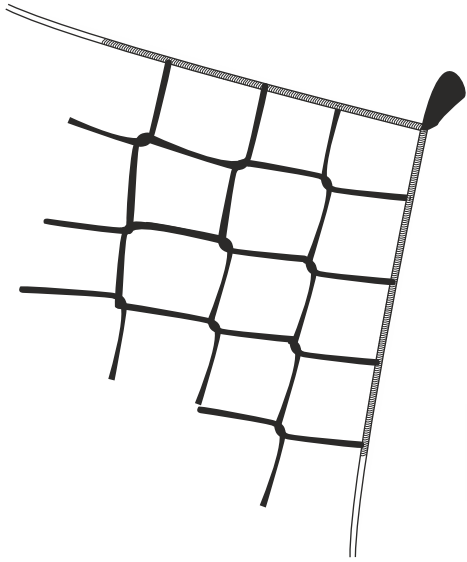
Place the Backbar within the Backbar Joints (38466).

Use the Securing Pins (38475) to fasten the Backbar into place.





**Fig.12a**



**Step 12 – Net**

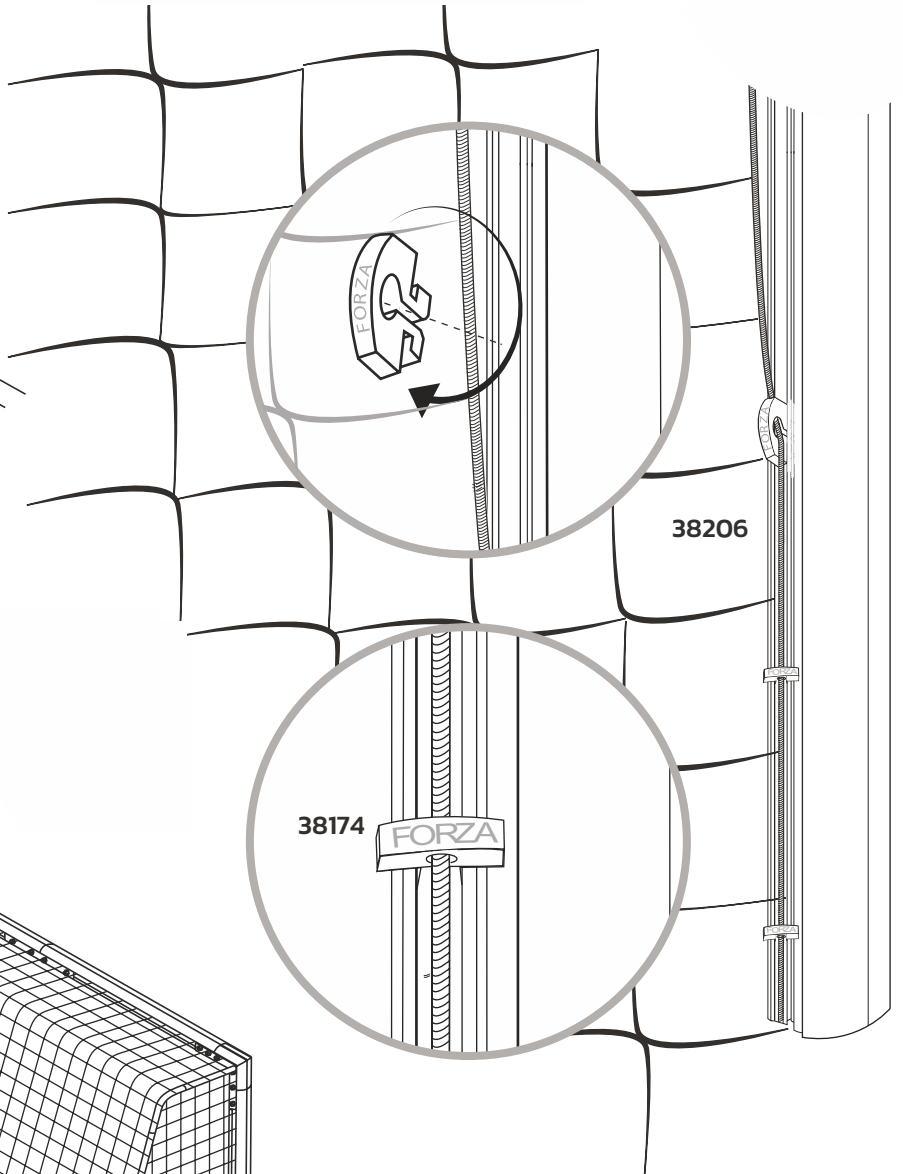
Place the net over the frame, noting that the red tabs denote the top corners of the net as per Fig. 12a.

Attach the net to the frame using Push and Twist Clips (38174) as per Fig. 12b.

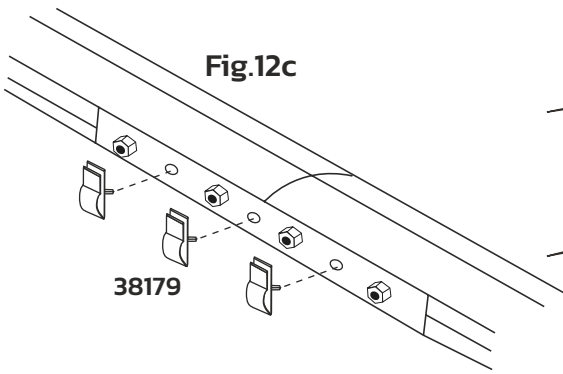
Fix net in place over brackets using Net Clips (38179) as per Fig. 11c.

Secure the net along the Backbar, using Cable Ties.

**Fig.12b**



**Fig.12c**



**Fig.12**

