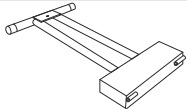











VERMONT

Badminton post assembly instructions

| ITEM | COMPONENT | QTY |
|---------------------------|---|-----|
| BASE |  | 2 |
| POST SUPPORT |  | 2 |
| POST |  | 2 |
| WHEEL |  | 4 |
| 1.5 INCH BOLT |  | 4 |
| KNOB |  | 2 |
| 2.5 INCH BOLT, NUT, DOME. |  | 2 |
| WRENCH |  | 2 |

NET WORLD SPORTS»

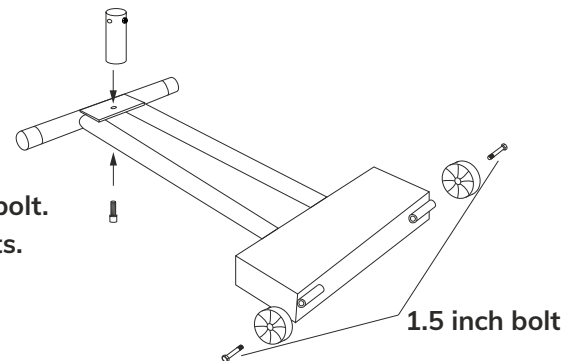
Net World sports UK
www.networld-sports.co.uk
sales@networld-sports.co.uk
+44 1691 683 807

Net World sports USA
www.networld-sports.com
sales@networld-sports.com
1-866-861-9095

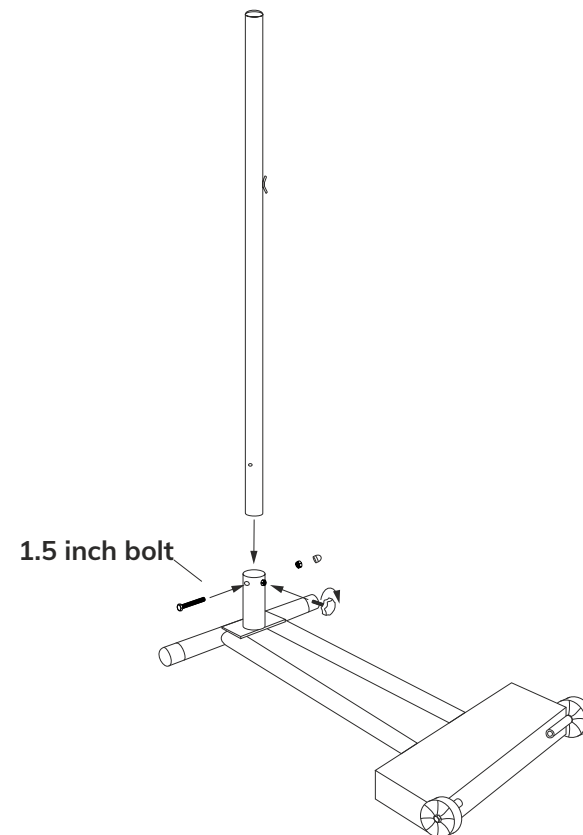
Step 1: Unscrew bolt from post support



Step 2: Attach post support to base with same bolt.
Attach wheels to base using 1.5inch bolts.



Step 2: Insert post into post support with the cleat towards the back, secure in place by inserting 2.5 inch bolt through the post and screwing bolt tight. Then screw on dome cap. To anchor post firmly in place screw Knob through post support to clamp post.



SAFETY: Please read through instructions before assembling.

Please check all parts are present with no defects prior to assembly.

Take extreme care when moving/lifting posts.

Regularly check equipment to ensure it is safe to use

DO NOT climb or swing on posts or net.