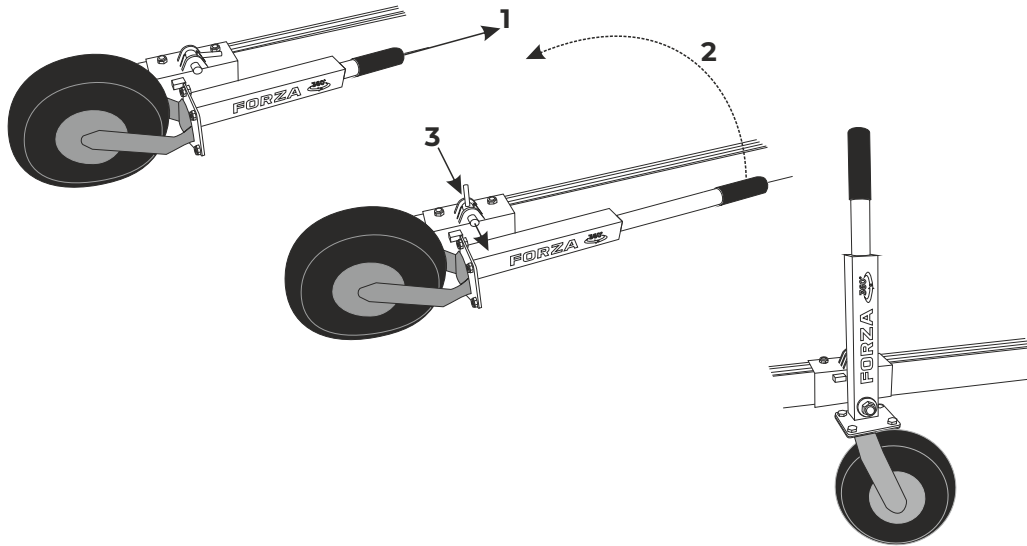


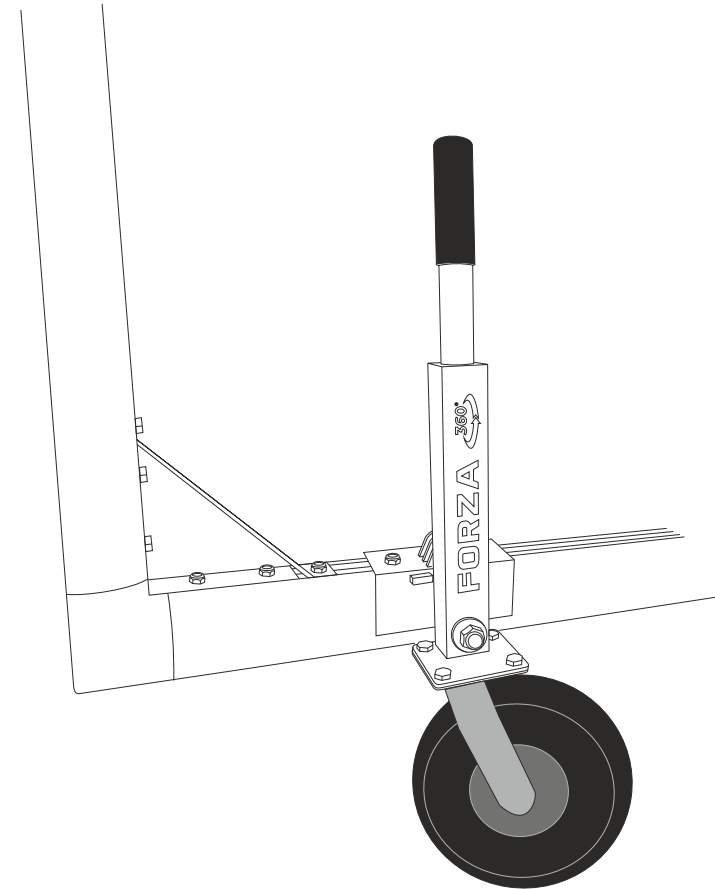
To operate wheel:

- 1: extend lever arm.
- 2: pull lever.
- 3: Lock bolt into place.



FORZA

WHEEL



Please take extreme care when raising or lowering wheels. Injury can occur.

This product is not a toy, serious injury can occur if misused.



Always inspect for defects before use and repair or replace damaged parts.

Do not use with faulty parts.

Please adhere to safety instructions at all times.

NET WORLD SPORTS»



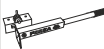


 @NetWorldSports

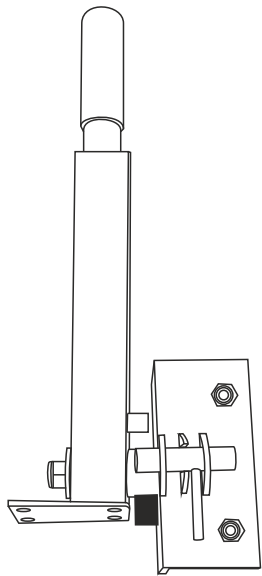
www.networldsports.co.uk // +44 (0) 1691 683 807 // cs@networldsports.co.uk

www.networldsports.com // 1-866-861-9095 // cs@networldsports.com

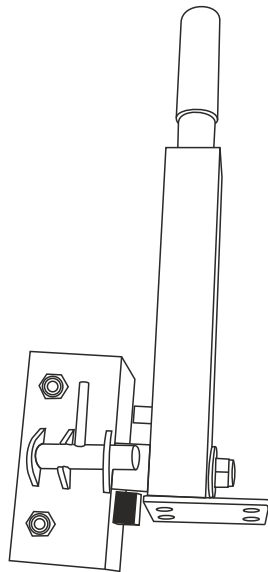
NET WORLD SPORTS»

PARTS LIST

| | | |
|---|----------------------------------|--------|
|  | CASTOR WHEEL | X2 |
|  | LEVER & BRACKET (LEFT HAND) | X1 |
|  | LEVER & BRACKET (RIGHT HAND) | X1 |
|  | STEEL SPACER PLATE | X2 |
|  | NUTS, BOLTS AND WASHERS (M10) | X1 SET |



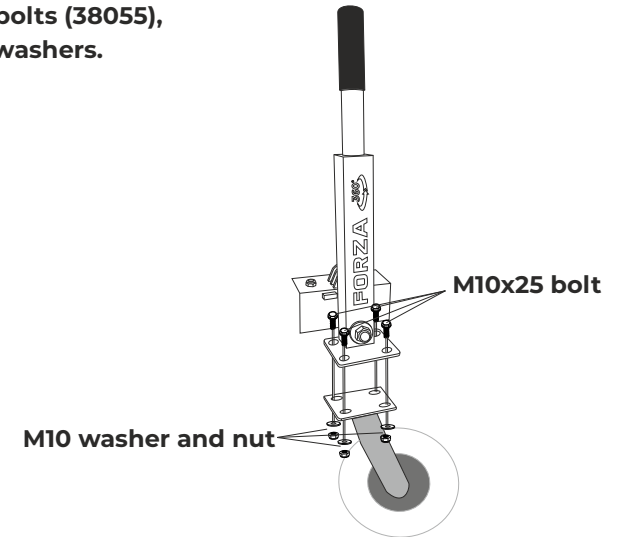
Left hand lever & bracket



Right hand lever & bracket

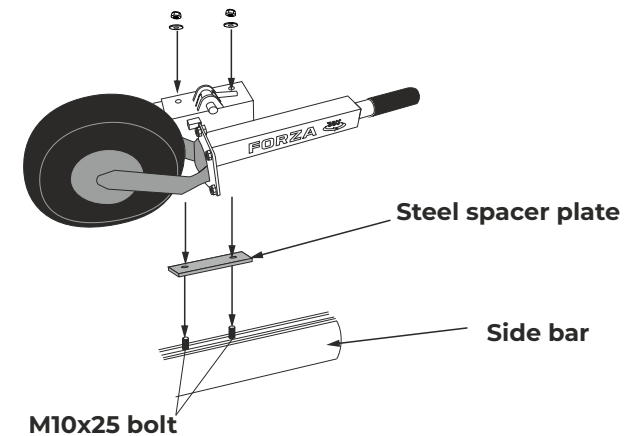
1

Attach castor to Lever & bracket using M10x25 bolts (38055), M10 nuts and washers.



2

To fit wheel bracket to goal first place the steel spacer plate over 2 pre inserted M10x25 bolts in the side bar. These should be positioned so the front wheel does not pass on to the field of play and the rear lever can be fully extended.



3

Once the steel spacer plate is in position locate the assembled wheel over the bolts and secure with M10 washer and bolts.