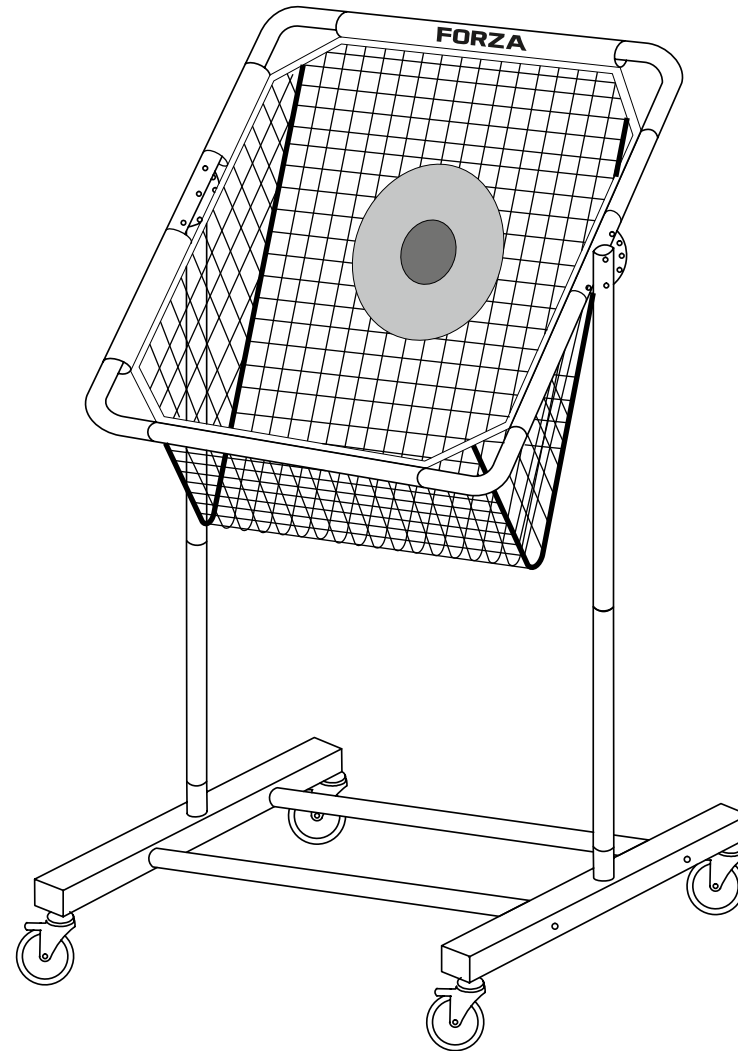


FORZA

SNAP AND PASS TRAINER NET



NET WORLD SPORTS »

    @NetWorldSports

www.networldsports.co.uk // +44 (0) 1691 683 807 // cs@networldsports.co.uk

www.networldsports.com // 1-866-861-9095 // cs@networldsports.com

FORZA

SAFETY INSTRUCTIONS

PLEASE READ THROUGH ALL MANUFACTURERS INSTRUCTIONS THOROUGHLY BEFORE BEGINNING TO ASSEMBLE THIS PRODUCT.

This product has a single purpose, DO NOT modify in any way.

The snap & Pass trainer should be used on a flat stable surface and be correctly anchored.

Installation, movement and use of the equipment should be carried out under the supervision of a competent person using due diligence and with a risk assessment. Always adhere to manufacturer's assembly instructions and maintenance advice and ensure any installation or movement is completed by a suitable number of adults only.

There should be sufficient space around the equipment to reduce the risk of accident or injury.

Ensure all components are present with no defects before assembly.

Take extreme care when assembling, moving or lifting equipment.

Ensure regular maintenance is conducted on the Goal and it's components.

Check all components are properly affixed and secure before each use. This includes screw and bolts. Do not use if any part shows signs of defect.

Never climb on the net or posts as this could result in injury.

Keep children away from equipment during installation.

keep pets and animals away from equipment at all times.

Beware of over head power lines as this can cause electrocution.

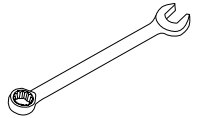
Securely store goal away from high winds and extreme weather.

Safety/ warning stickers on the product should be visible at all times.

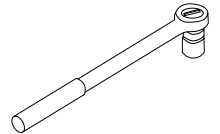
USEFULL TOOLS



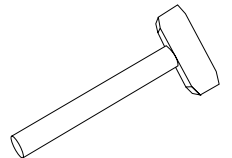
Allen key



Wrench



Ratchet with Sockets

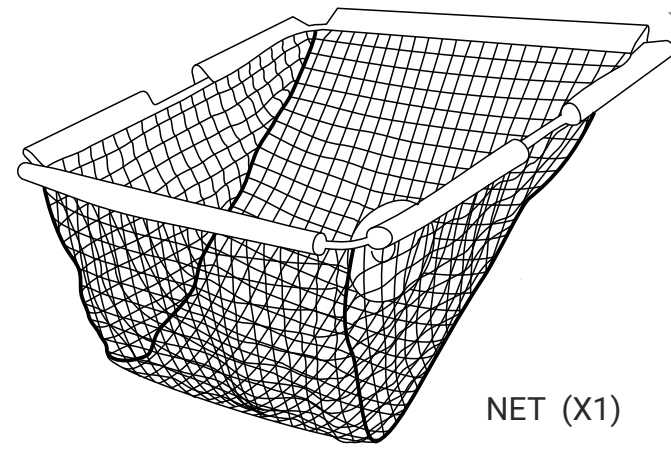
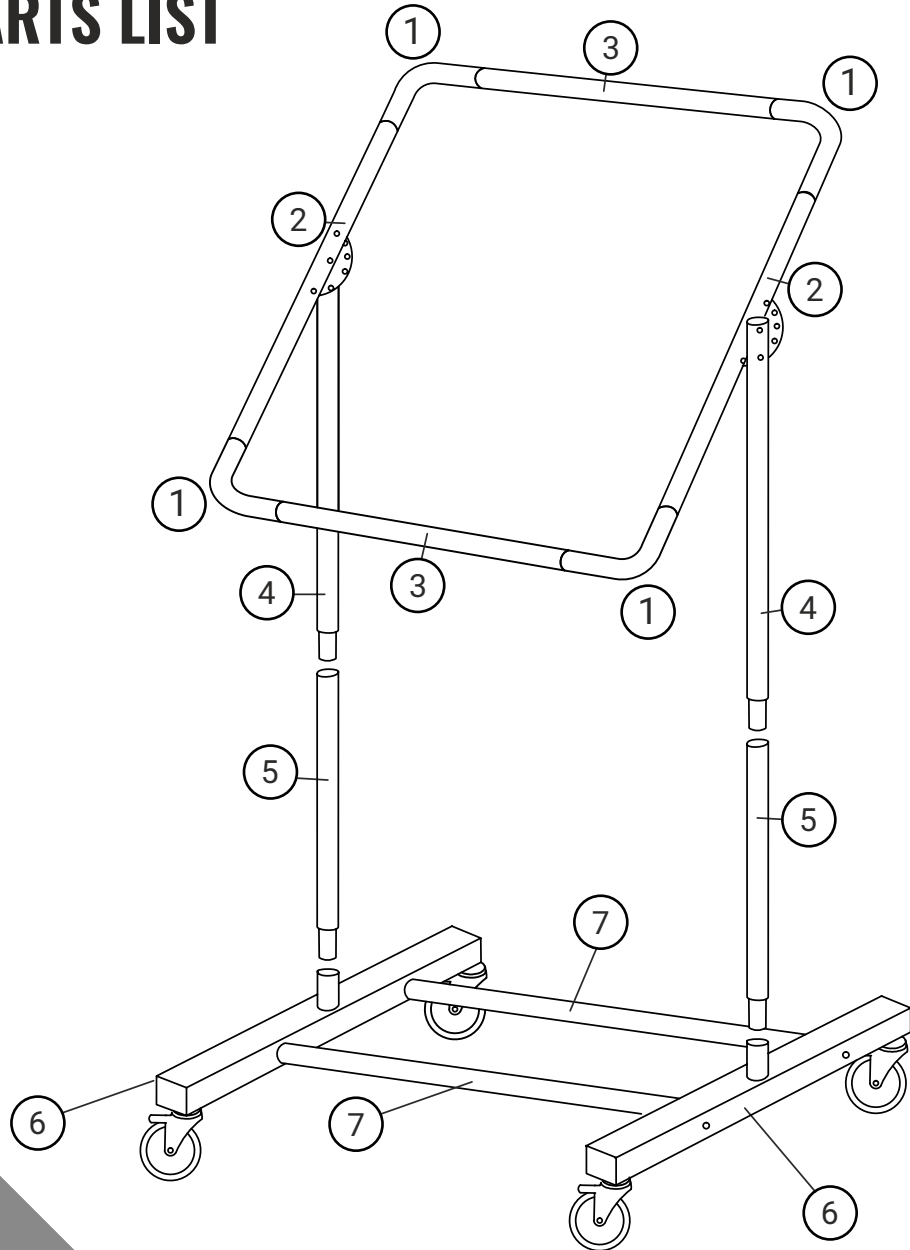


Rubber Mallet

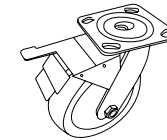
FORZA

FORZA

PARTS LIST



NET (X1)



WHEEL (X4)



25MM BOLT (X16)



LARGE LOCK NUT (X16)



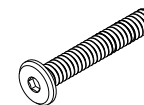
WASHER (X32)



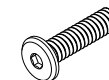
SPRING WASHER (X16)



SMALL LOCK NUT (X2)



90MM HEX BOLT (X2)

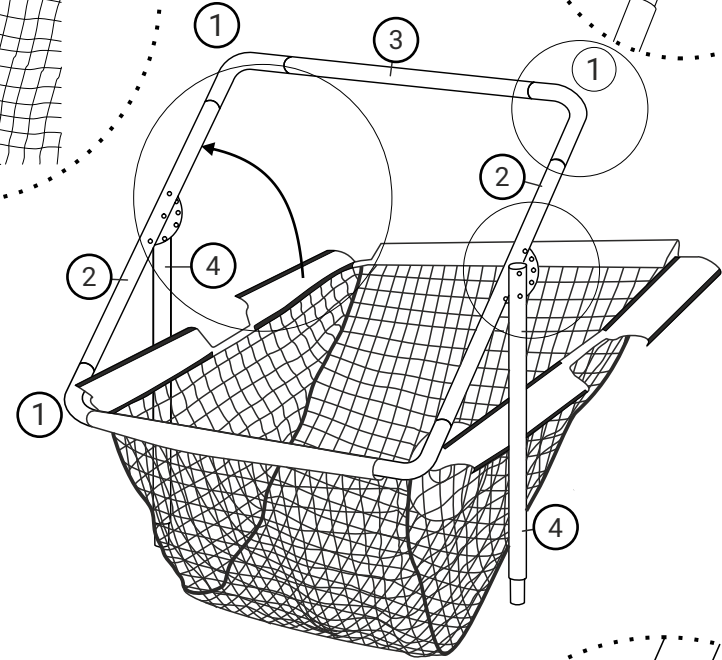
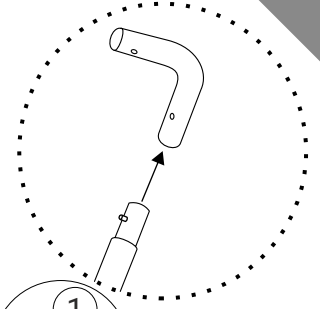
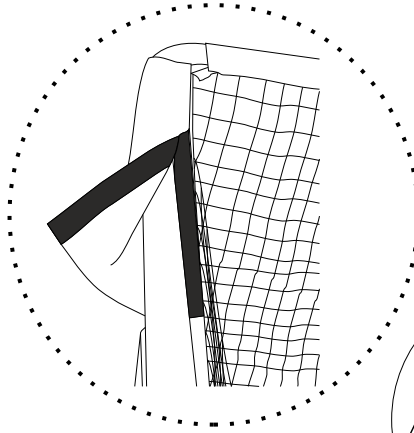
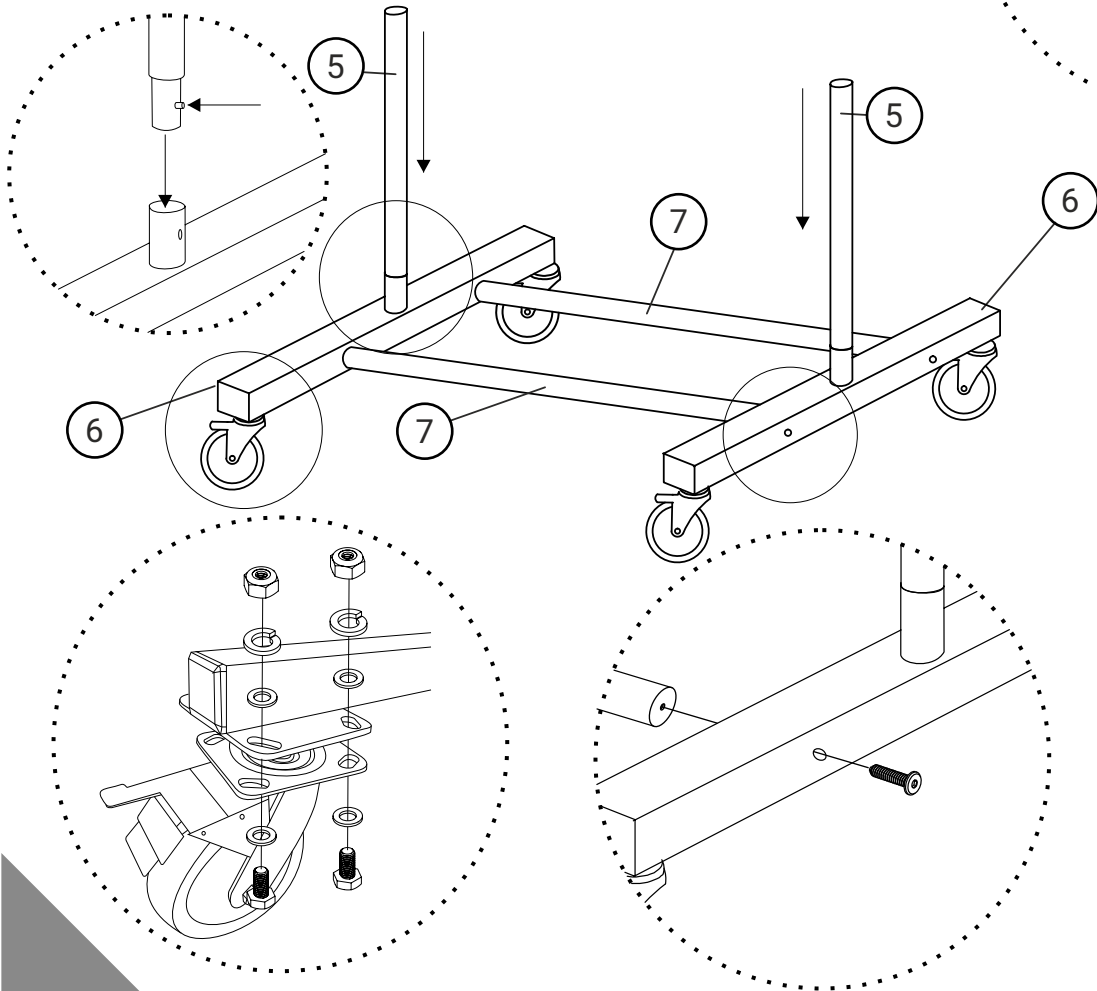


50MM HEX BOLT (X4)

FORZA

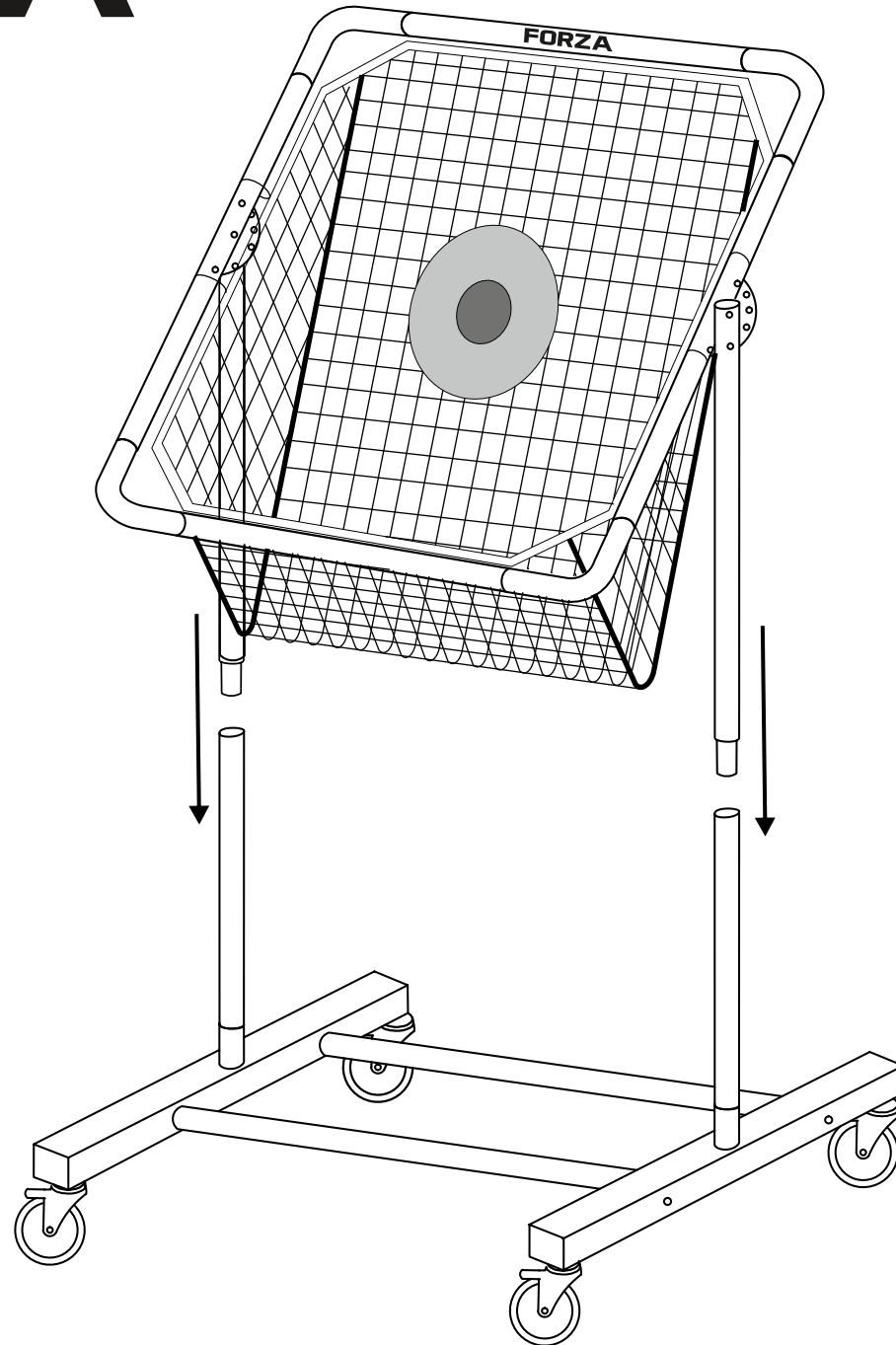
2

1



03

FORZA



FORZA

WARRANTY

This product 1 year warranty against manufacturing defect.

To activate your free 1 year warranty please visit:
<http://www.networldsports.co.uk/warranty> and complete the form.

The online form will ask you to fill out some details. Please ensure that you have your order confirmation or invoice to hand to assist. For this product there is no need to enter the serial number or activation code as they don't exist for this product.

Warranty excludes wear and tear items (like nets & clips) and will be void for the following reasons:

- Damage or fault caused by not following the instructions set out in this manual
- Damage or fault caused by not regularly checking and maintaining the product
- Damage or fault caused as a result of an accident (for example a vehicle driving into the post)
- Damage or fault caused by leaving the product out in bad weather
- Vandalism/misuse of the product
- Vermin damage

Do not use this product if it becomes damaged or develops a fault.

Replacement parts can be purchased from Net World Sports Ltd to get your product back up and running safely again.

END OF LIFE DISPOSAL

It is the user's responsibility to dispose of their waste equipment properly and recycle where possible.

Local regulations and laws pertaining to the recycling and disposal will vary according to country, state, and local governments. You must check laws and regulations corresponding to where you live in order to dispose/recycle of these items correctly.

For information about where you should dispose/recycle, please contact your local or regional waste management office or your household waste disposal service.

Net World Sports offers a 10% discount on replacement products for existing customers. This discount is based on proof of original purchase and evidence of the previous product being correctly disposed/recycled.

For help and advice please contact us:

Net World Sports Ltd
Bryn Lane
Wrexham Industrial Estate
Wrexham
LL13 9UT

UK Tel. +44 (0)1691 683807
US Tel. 1-866-861-9095
Email. cs@networldsports.com



FORZA

NET WORLD SPORTS»

    @NetWorldSports

www.networldsports.co.uk // +44 (0) 1691 683 807 // cs@networldsports.co.uk

www.networldsports.com // 1-866-861-9095 // cs@networldsports.com

